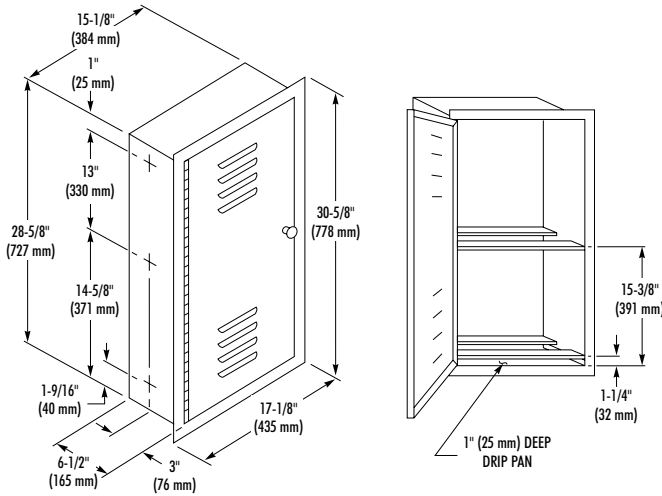


BED PAN STORAGE CABINET

- Recess Mounted
- Holds Two Bed Pans



CONSTRUCTION:

- **FLANGE** fabricated of type 304 (18-8), 22 gauge stainless steel with exposed surfaces in architectural satin finish. Flange of one piece seamless construction, 1" wide with 1/4" return.
- **CABINET** fabricated of type 304 (18-8), heavy gauge stainless steel. Welded construction with burr-free edges.
- **DOOR** fabricated of type 304 (18-8), 18 gauge stainless steel with full length piano hinge and rodstop. Louvers permit air circulation. Magnetic catches secure door. Chrome plated brass pull knob.
- **DRIP PAN** fabricated of type 304 (18-8), 22 gauge stainless steel 1" deep with leak-proof soldered seams.
- **INTERIOR SHELVES** fabricated of type 304 (18-8), 22 gauge stainless steel.

OPERATION:

Drip pan is removable for drainage and cleaning.

INSTALLATION:

Requires rough wall opening 15-5/8"W x 29-1/8"H x 6-1/2"D. Secure to framing with mounting screws (included) at holes provided. Shim at screw points as required.

GUIDE SPECIFICATION:

Recessed bed pan storage cabinet shall be fabricated of type 304 (18-8), stainless steel with exposed surfaces in satin finish. Louvered door of 18 gauge stainless steel with full length piano hinge, rodstop and magnetic catches. Removable drip pan.

Overall dimensions: 17-1/8"W x 30-5/8"H x 6-1/2"D.

Recessed Bed Pan Storage Cabinet shall be Bradley Model 990.