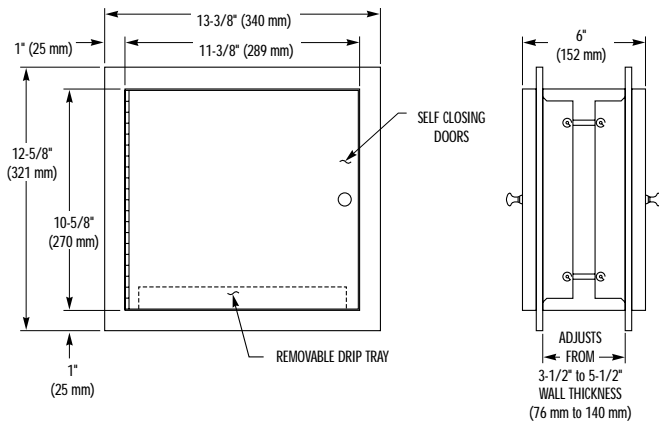


SPECIMEN PASS-THRU CABINET

BradEx™



CONSTRUCTION:

- **CABINET** fabricated of type 304 (18-8), 18 gauge stainless steel with exposed surfaces in architectural satin finish. Welded construction with burr-free edges.
- **FLANGES** fabricated of type 304 (18-8), 22 gauge stainless steel with exposed surfaces in architectural satin finish. Flange of one piece seamless construction, 1" wide with 1/4" return.
- **DOORS** fabricated of type 304 (18-8), 20 gauge stainless steel with exposed surfaces in architectural satin finish. Equipped with full length stainless steel piano spring hinge and chrome plated brass pull knob. Doors are self-closing.
- **INTER-LOCK MECHANISM** fabricated of heavy gauge stainless steel prevents both doors from being open at same time.
- **SPILL TRAY** fabricated of type heavy duty, 22 gauge stainless steel with soldered seams to prevent leakage.

OPERATION:

Special interlock mechanism permits only one door to open at a time. Spill tray removes for cleaning.

INSTALLATION:

Requires rough wall opening of 11-5/8"W x 10-7/8"H. Adjusts to wall thickness of 3-1/2" to 5-1/2". Remove one flange and slip unit into wall. Replace flange and secure to cabinet with concealed mounting screws (included) at holes provided. Tighten screws holding opposite flange.

GUIDE SPECIFICATION:

Specimen pass-thru cabinet shall be fabricated of type 304 (18-8), heavy gauge stainless steel with 20 gauge doors and all exposed surfaces in satin finish. Interlock mechanism permits operation of only one door at a time. Removable stainless steel spill tray.

Overall dimensions: 13-3/8"W x 12-5/8"H x 6"D.

Specimen Pass-Thru Cabinet shall be Bradley Model 9813.

Orders composed of products indicated as *BradEx™* will be available to ship in one week after receipt of order at the factory. There is no pricing penalty for this service from Bradley.

Document No. 9100

This information is subject to change without formal notice.
© 2003 Bradley Corporation
8-6-2003

Bradley 

P.O. Box 309, Menomonee Falls, WI 53052-0309
Phone 1-800-BRADLEY FAX 262-253-4161
Web Site: <http://www.bradleycorp.com>
Technical Information Fax Service: 1-800-BRADFAX