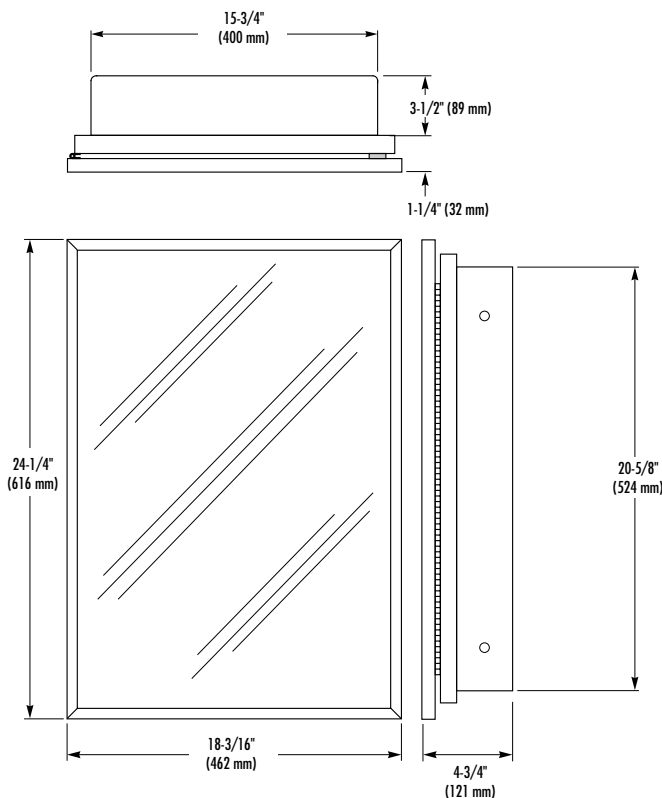


## MEDICINE CABINET

- Recess Mounted
- Three Adjustable Shelves
- Reversible



### CONSTRUCTION:

- **CABINET** fabricated of 20 gauge steel, one piece drawn construction, with rust-resistant baked-on enamel after forming. Sides formed to support adjustable shelf brackets.
- **DOOR** is fabricated of heavy gauge steel and finished with rust-resistant, baked-on enamel to match cabinet, equipped with full length piano hinge with built-in door stop, protective door bumpers, and a magnetic catch.
- **MIRROR** is No. 1 quality, distortion-free float glass, electrolytically copper-backed, with full surround stainless steel frame with positive screw closure.
- **SHELVES** (3) are metal.

### OPERATION:

Cabinet is reversible for left or right hand door swing. Shelves are removable and adjustable

### INSTALLATION:

Cabinet requires rough wall opening of 16-1/4"W x 21-1/4"H x 3-1/2"D, with top of wall opening 6'-2-3/4" from finished floor. Secured to framing with mounting screws (included) through holes provided.

### GUIDE SPECIFICATION:

Recessed medicine cabinet shall be of one-piece, heavy gauge drawn steel construction finished with baked-on enamel after forming. Swing door shall have float glass mirror with full surround stainless steel channel frame with screw enclosure. Cabinet shall be equipped with three adjustable shelves, full piano hinge, and magnetic catch.

Cabinet shall be reversible for left or right hand door swing.

**Recess Mounted Medicine Cabinet shall be Bradley Model 9662.**

Document No. 9050

This information is subject to change without formal notice.  
© 2003 Bradley Corporation  
2-15-2005

**Bradley**

P.O. Box 309, Menomonee Falls, WI 53052-0309  
Phone 1-800-BRADLEY FAX 262-253-4161  
Web Site: <http://www.bradleycorp.com>