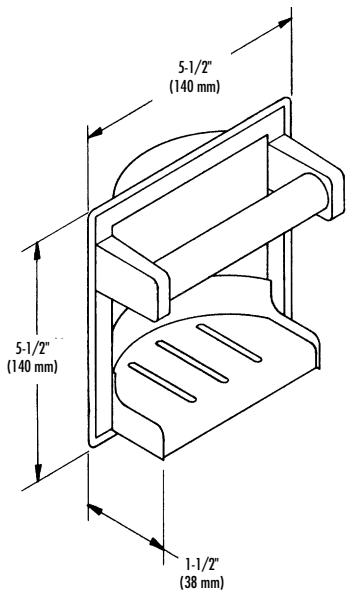


## SOAP DISH

- Recessed
- Chrome Plated
- Model 936 – Brass Housing **Bradlex™**



### CONSTRUCTION:

- **HOUSING** fabricated of chrome plated brass.
- **SOAP TRAY** fabricated of heavy clear plastic.

### OPERATION:

Soap tray is removable for cleaning.

### INSTALLATION:

Requires rough wall opening 4-1/2"W x 4-1/2"H x 1-1/4"D. Secure to framing with screws (included) at holes provided.

### OPTIONAL FEATURES:

Feature	Suffix
<input type="checkbox"/> Back clamp for gypsum wallboard mounting	-55

### GUIDE SPECIFICATION:

Recessed soap dish shall be chrome plated brass with removable plastic soap tray.

Overall dimensions: 5-1/2"W x 5-1/2"H x 1-1/2"D.

**Recessed Soap Dish shall be Bradley Model 936.**

Document No. 8940

This information is subject to change without formal notice.  
7-14-2005

Orders composed of products indicated as **Bradlex™** will be available to ship in one week after receipt of order at the factory. There is no pricing penalty for this service from Bradley.



P.O. Box 309, Menomonee Falls, WI 53052-0309  
Phone 1-800-BRADLEY FAX 262-253-4161  
Web Site: <http://www.bradleycorp.com>