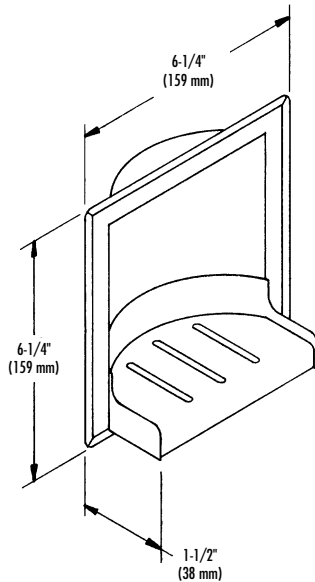


**MODEL 9352
9353**

SOAP DISH

- Recess Mounted
- Stainless Steel
- Model 9352 – Bright Polish
- Model 9353 – Satin Stainless Steel



CONSTRUCTION:

- **HOUSING** fabricated of heavy gauge stainless steel.
- **SOAP TRAY** fabricated of heavy clear plastic.

CONSTRUCTION:

Soap tray is removable for cleaning.

INSTALLATION:

Requires rough wall opening 5-1/4"W x 5-1/4"H x 2"D. Secure to framing with screws (included) at holes provided.

OPTIONAL FEATURES:

Feature	Suffix
<input type="checkbox"/> Fixed lip in lieu of plastic tray	-54 *
<input type="checkbox"/> Back clamp for gypsum wallboard mounting	-55
<input type="checkbox"/> Mortar lug for masonry wall mounting	-57 *

* **Note:** Models 9353-540000 and 9353-545500 options are not available.

GUIDE SPECIFICATION:

Recessed soap dish shall be heavy gauge stainless steel with removable soap tray.

Overall dimensions: 6-1/4"W x 6-1/4"H x 2"D.

Recessed Soap Dish shall be Bradley Model 9352 (9353).

Document No. 8935

This information is subject to change without formal notice.
© 2004 Bradley Corporation
7-14-2005

Bradley

P.O. Box 309, Menomonee Falls, WI 53052-0309
Phone 1-800-BRADLEY FAX 262-253-4161
Web Site: <http://www.bradleycorp.com>