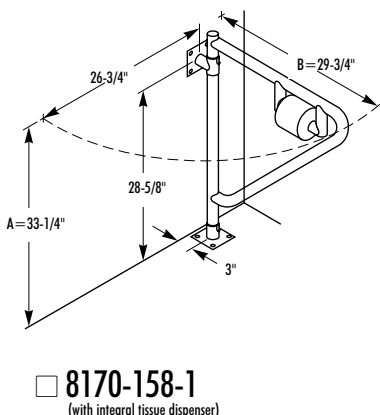
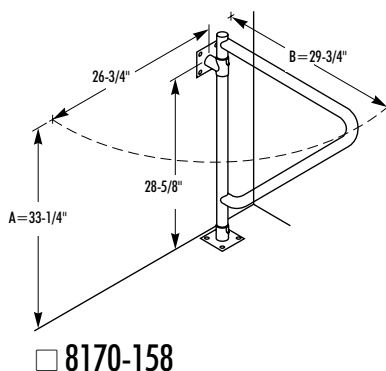
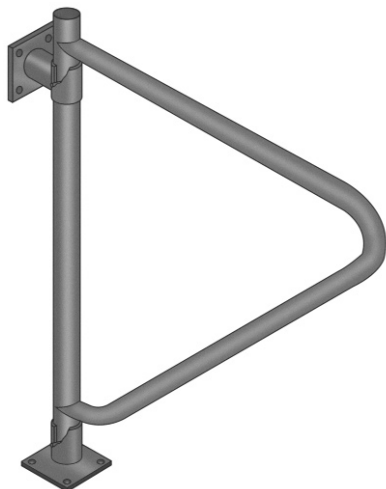


MODEL 8170-158
8170-158-1

SWING-AWAY GRAB BAR

- 1-1/2" O.D.
- Heavy Duty Stainless Steel
- Locks Into Support Position

Bradex™



CONSTRUCTION:

- **TUBING** of type 304 (18-8) 1-1/2" O.D., 18 gauge type stainless steel construction with exposed surfaces in architectural satin finish. All welds ground and polished to blend. Mandrel bending process maintains uniform bar diameter.
- **WALL FLANGES** fabricated of 3/16" thick type 304 (18-8) stainless steel with exposed surfaces in architectural satin finish.

STRENGTH:

The Swing-Away Grab Bar is designed to support a concentrated load in excess of 300 pounds: wall backing must be strong enough to withstand the load the grab bar is intended to support.

OPERATION:

The Swing-Away Grab Bar can be rotated to a support position or departure position. To place the grab bar in the

- support position, rotate the grab bar forward until locking pins on the grab bar fit into notches on the wall and floor flanges. When in the support position, the grab bar is locked in place.
- departure position, lift then rotate the grab bar backward until locking pins on the grab bar are resting in notches on the wall and floor flanges. When in the departure position, the grab bar is retained from moving forward until it is locked in the support position.

INSTALLATION:

Secure to wall where adequate in-wall backing exists, and wall is perpendicular and true to the floor. Use bar as template to locate mounting holes. Drill holes and set anchors as appropriate: wall anchors used are important for proper installation, and depend on wall construction. (For Bradley grab bar mounting kits, refer to the Mounting Kits page at the back of the Grab Bar section: 4 mounting kits are required to install the Swing-Away Grab Bar.)

OPTIONAL FEATURES:

Feature	Suffix
<input type="checkbox"/> Safety-grip finish	-2

GUIDE SPECIFICATION:

Swing-away grab bar shall be fabricated of type 304 (18-8) stainless steel with exposed surfaces in architectural satin finish. Install with Bradley mounting kits as indicated.

Swing-Away Grab Bar shall be Bradley Model 8170-158 (8170-158-1).

Orders composed of products indicated as **Bradex™** will be available to ship in one week after receipt of order at the factory. There is no pricing penalty for this service from Bradley.



P.O. Box 309, Menomonee Falls, WI 53052-0309
Phone 1-800-BRADLEY FAX 262-253-4161
Web Site: <http://www.bradleycorp.com>
Technical Information Fax Service: 1-800-BRADFAX

Document No. 8835

This information is subject to change without formal notice.
1299RSSCJ