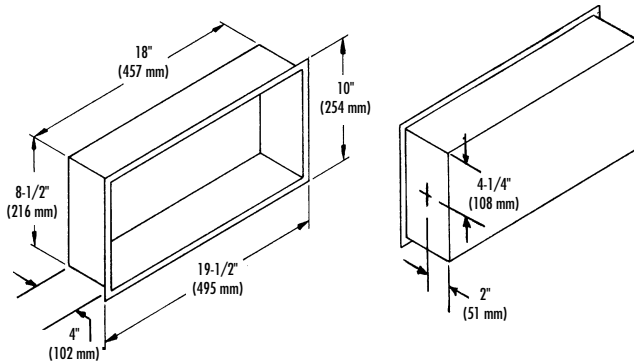


SHELF

- Recess Mounted



CONSTRUCTION:

- **FLANGE** fabricated of type 304 (18-8), 22 gauge stainless steel with exposed surfaces in architectural satin finish. One piece seamless construction, 3/4" wide with burr-free bevel edge.
- **CABINET** fabricated of type 304 (18-8), 22 gauge stainless steel. All welded construction.

INSTALLATION:

Requires rough wall opening 18-1/2"W x 8-7/8"H x 4"D. Secure to framing with mounting screws (included) at holes provided. Shim at screw points as required.

GUIDE SPECIFICATION:

Recessed shelf shall be fabricated of type 304 (18-8), 22 gauge stainless steel with exposed surfaces in satin finish. Overall dimensions 19-1/2"W x 10"H x 4"D.

Recessed Shelf shall be Bradley Model 760.

Document No. 8770

This information is subject to change without formal notice.
© 2004 Bradley Corporation
12-21-2004

Bradley 

P.O. Box 309, Menomonee Falls, WI 53052-0309
Phone 1-800-BRADLEY FAX 262-253-4161
Web Site: <http://www.bradleycorp.com>