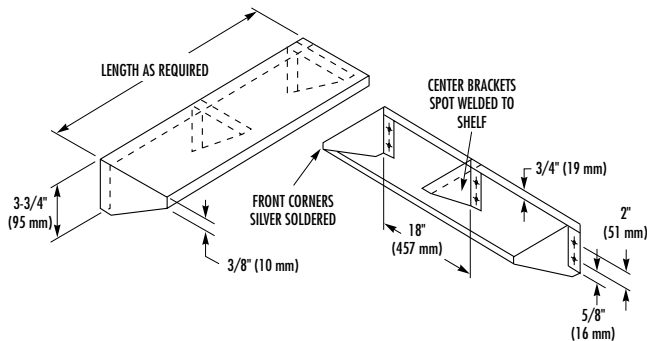


SHELF

- Surface Mounted
- Model 755 – 5" Depth
- Model 756 – 6" Depth
- Model 758 – 8" Depth
- Model 7510 – 10" Depth
- Model 7512 – 12" Depth



Bradlex™ Models				
Depth (Inches)	Length (Inches)	Overall Dimension (Inches)	Overall Dimension (Millimeters)	Standard Model Number
5"	18"	5 x 18	127 x 457	755-18
5"	24"	5 x 24	127 x 610	755-24

MODEL 755
756
758
7510
7512

CONSTRUCTION:

- **SHELF** fabricated of type 304 (18-8), 18 gauge stainless steel with exposed surfaces in architectural satin finish. End brackets are integral.
- **CENTER BRACKETS** (shelves over 24" length) fabricated of type 304 (18-8), 16 gauge stainless steel. Welded to shelf.

INSTALLATION:

Secure to wall with mounting screws (included) at holes provided.

Length	No. of Center Brackets
6" to 24"	0
25" to 48"	1
49" to 72"	2
73" to 96"	3
97" to 112"	4

GUIDE SPECIFICATION:

Surface mounted shelf shall be fabricated of type 304 (18-8), 18 gauge stainless steel with exposed surfaces in satin finish and integral end brackets. Shelves over 24" long shall have 16 gauge intermediate support brackets of matching stainless steel.

Surface Mounted Shelf shall be Bradley Model 755 (756, 758, 7510, 7512) _____" (specify length).

Document No. 8765

This information is subject to change without formal notice.
© 2004 Bradley Corporation
2-11-2005

Orders composed of products indicated as **Bradlex™** will be available to ship in one week after receipt of order at the factory. There is no pricing penalty for this service from Bradley.

Bradley

P.O. Box 309, Menomonee Falls, WI 53052-0309
Phone 1-800-BRADLEY FAX 262-253-4161
Web Site: <http://www.bradleycorp.com>