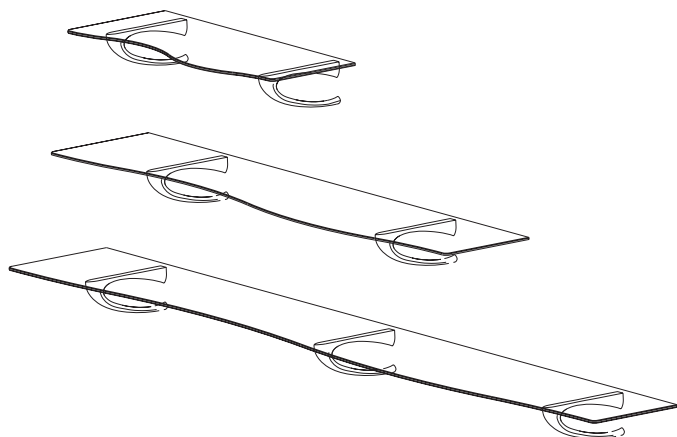


# FREQUENCY SHELF

- Surface Mounted Glass



## CONSTRUCTION:

- SHELF fabricated of 1/4" tempered glass wave design, polished edges.

## INSTALLATION:

- BRACKETS ZAMAC, matte chrome finish.
- MOUNTING KIT Holds up to 160 lbs. using two brackets mounted 36" apart max.

## GUIDE SPECIFICATION:

Surface mounted shelf shall be fabricated of 1/4" tempered glass with polished edges.

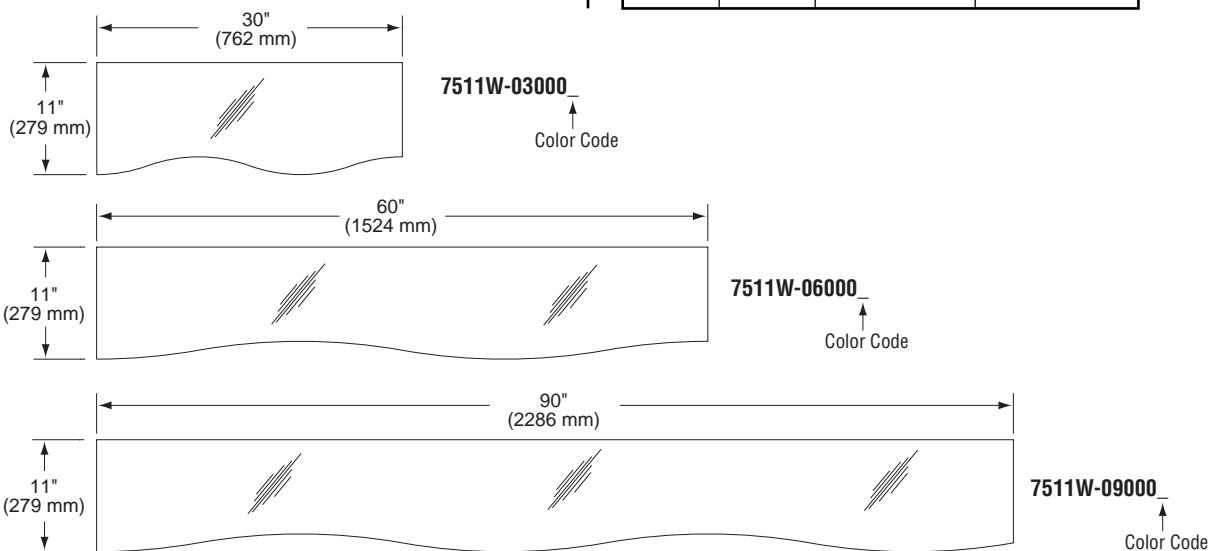
**NOTE:** Glass shelf not secured to brackets. Not recommended for areas subject to vandalism.

Surface Mounted Shelf shall be Bradley Model 7511W\_\_\_\_\_ (specify length).

## COLOR OPTIONS:

Code	Description
C	Clear
B	Blue
G	Blue/Green

Models			
Width (Inches)	Depth (Inches)	Color Option	Standard Model Number
30"	11"	C	7511W-03000C
30"	11"	B	7511W-03000B
30"	11"	G	7511W-03000G
60"	11"	C	7511W-06000C
60"	11"	B	7511W-06000B
60"	11"	G	7511W-06000G
90"	11"	C	7511W-09000C
90"	11"	B	7511W-09000B
90"	11"	G	7511W-09000G



Document No. 8763

This information is subject to change without formal notice.  
© 2003 Bradley Corporation  
11-7-2003



P.O. Box 309, Menomonee Falls, WI 53052-0309  
Phone 1-800-BRADLEY FAX 262-253-4161  
Web Site: <http://www.bradleycorp.com>  
Technical Information Fax Service: 1-800-BRADFAX