



When installed as specified below, unit meets Barrier-Free requirements

COMBINATION UNIT

- Recess Mounted – Tissue Dispenser with Napkin Disposal
- Model 5942 – Recessed
- Model 5942-11 – Surface Mounted (projects 4-1/4")



CONSTRUCTION:

- **FLANGE** fabricated of type 304 (18-8) 22 gauge stainless steel with exposed surfaces in architectural satin finish. Flange of one piece seamless construction, 1" wide with 1/4" return.
- **CABINET** fabricated of type 304 (18-8) 22 gauge stainless steel with exposed surfaces in architectural satin finish. Welded construction with burr-free edges.
- **DOOR** fabricated of type 304 (18-8) 18 gauge stainless steel with full length piano hinge and tumbler lock keyed like other Bradley units.
- **PUSH FLAP DOOR** fabricated of type 304 (18-8) 22 gauge stainless steel with exposed surfaces in architectural satin finish. Self-closing, with heavy duty stainless steel piano hinge.
- **WASTE CONTAINER** fabricated of leakproof molded plastic. 1.0 gal. capacity.
- **SPINDLES** of polyethylene, non-removable by user.

CAPACITY:

Toilet Tissue Dispensers-Two standard core toilet tissue rolls through 5" in diameter.

OPERATION:

Hinged access door permits servicing of components from one side.

INSTALLATION:

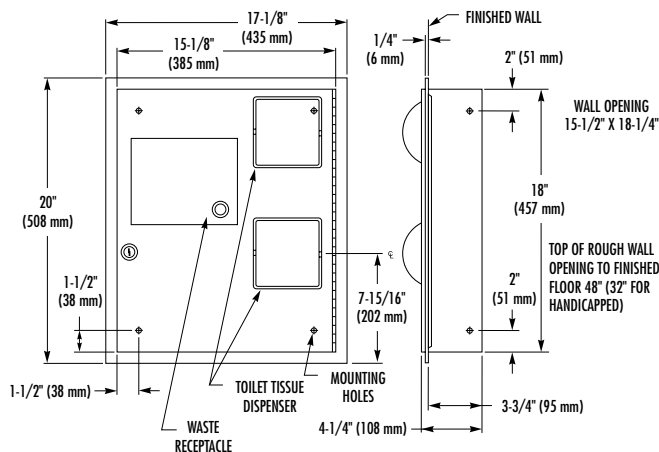
Requires rough wall opening 15-1/2"W x 18-1/4"H x 4"D. Top of wall opening 4'0" above finished floor. For Barrier-free applications, top of wall opening 2'8" above finished floor. Secure with mounting screws (included) at holes provided.

GUIDE SPECIFICATION:

Recessed combination unit shall include toilet tissue dispenser and napkin disposal, and be fabricated of type 304 (18-8) heavy gauge stainless steel with seamless exposed surfaces in satin finish. Door and back panel shall be 18 gauge. Door shall have piano hinge and tumbler lock.

Overall dimensions: 17-1/8"W x 20"H x 4-1/4"D.

Recessed Combination Unit shall be Bradley Model 5942.



Document No. 8625

This information is subject to change without formal notice.
© 2004 Bradley Corporation
12-21-2004

Bradley

P.O. Box 309, Menomonee Falls, WI 53052-0309
Phone 1-800-BRADLEY FAX 262-253-4161
Web Site: <http://www.bradleycorp.com>