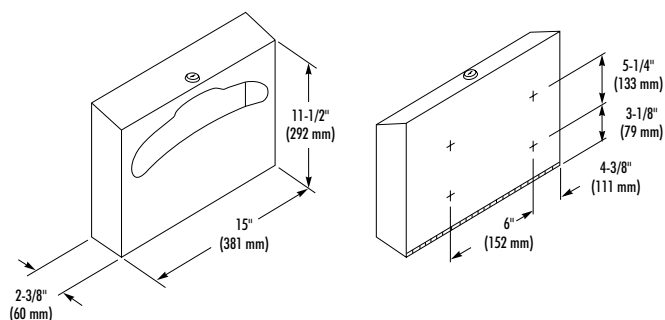


SEAT COVER DISPENSER

- Surface Mounted
- 500 Capacity

Bradex™



CONSTRUCTION:

- **COVER** fabricated of type 304 (18-8), 22 gauge stainless steel with exposed surfaces in architectural satin finish. Welded construction with burr-free edges, full length piano hinge and tumbler lock keyed like other Bradley units.
- **BACK** fabricated of type 304 (18-8), heavy gauge stainless steel.

CAPACITY:

500 standard single-fold or half-fold toilet seat covers.

OPERATION:

Cabinet bottom hinged for easy filling. Unit has spring clip dispensing mechanism.

INSTALLATION:

Secure to wall or toilet partition with mounting screws (included) at holes provided.

GUIDE SPECIFICATION:

Surface mounted toilet seat cover dispenser shall be fabricated of type 304 (18-8), 22 gauge stainless steel with exposed surfaces in satin finish with welded construction. Door with piano hinge and tumbler lock. Capacity 500 toilet seat covers.

Overall dimensions: 15"W x 11-1/2"H x 2-3/8"D.

Surface Mounted Toilet Seat Cover Dispenser shall be Bradley Model 583.

Orders composed of products indicated as **Bradex™** will be available to ship in one week after receipt of order at the factory. There is no pricing penalty for this service from Bradley.

Document No. 8560

This information is subject to change without formal notice.
1299RSSCJ



P.O. Box 309, Menomonee Falls, WI 53052-0309
Phone 1-800-BRADLEY FAX 262-253-4161
Web Site: <http://www.bradleycorp.com>
Technical Information Fax Service: 1-800-BRADFAX