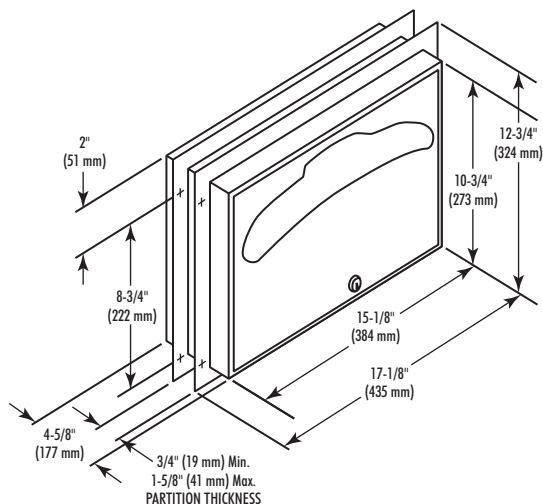
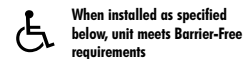


SEAT COVER DISPENSER

- Partition Mounted
- Serves Two compartments



MODEL 582



CONSTRUCTION:

- FLANGE fabricated of type 304 (18-8), 22 gauge stainless steel with exposed surfaces in Architectural satin finish. One piece seamless construction, 1" wide with burr-free beveled edges.
- CABINET fabricated of type 304 (18-8), 22 gauge stainless steel. All welded construction.
- DOORS fabricated of type 304 (18-8), 22 gauge stainless steel with exposed surfaces in architectural satin finish, with full length piano hinge and tumbler lock keyed like other Bradley units.

CAPACITY

1,000 single-fold or half-fold toilet seat covers.

OPERATION:

Seat cover dispenser serviced through hinged door on one side of unit.

INSTALLATION:

Requires partition opening 11"H x 15-3/8"W. Top of partition opening 4'-10" above finished floor. For Barrier-Free applications, top of partition opening 3'-8" from finished floor. (location of hole and dimensions should be noted in partition specifications.) Flanges adjustable for partitions from 3/4" to 1-3/16" thick. Remove flanges and install cabinet in partition opening with tabs flush against partition. Position flanges on both sides of cabinet and secure with mounting strews (included) at holes provided.

NOTE: If used with on odd number of toilet compartments, use one Bradley Model 584 recessed or Bradley Model 583 surface mounted Seat Cover Dispenser in side wall of end compartment.

GUIDE SPECIFICATION:

Dual toilet seat cover dispenser shall be partition mounted to serve two toilet compartments. Unit shall be fabricated of type 304 (18-8), 22 gauge stainless steel with seamless exposed surfaces in satin finish. Dispenser door with piano hinge and tumbler lock.

Overall dimensions 17-1/8"W x 12-3/4"H x 4-5/8"D.

Partition Mounted Dual Toilet Seat Cover Dispenser shall be Bradley Model 582.

Document No. 8558

This information is subject to change without formal notice.
1299RSSCJ

Bradley

P.O. Box 309, Menomonee Falls, WI 53052-0309
Phone 1-800-BRADLEY FAX 262-253-4161
Web Site: <http://www.bradleycorp.com>
Technical Information Fax Service: 1-800-BRADFAX