



When installed as specified below, unit meets Barrier-Free requirements

TOILET TISSUE DISPENSER

- Recessed
- Dual Roll

Bradex™



CONSTRUCTION:

- **FLANGE** fabricated of type 304 (18-8), 22 gauge stainless steel with exposed surfaces in architectural satin finish. Flange of one piece seamless construction, 1" wide with 1/4" return.
- **CABINET** fabricated of type 304 (18-8), 22 gauge stainless steel with exposed surfaces in architectural satin finish. Welded construction with burr-free edges.
- **SERVICE DOOR** fabricated of type 304 (18-8), 22 gauge stainless steel with exposed surfaces in architectural satin finish and tumbler lock keyed like other Bradley units. Hinged at bottom.
- **SPINDLES** of molded polyethylene.

CAPACITY:

Two standard core toilet tissue rolls through 5" in diameter.

OPERATION:

Cabinet holds two rolls of 4-1/2" x 5" standard core toilet tissue, one above the other. When first roll is used-up, fresh roll automatically drops down for use. Unique retaining mechanism prevents use of spare roll until first roll is completely used. Spindles non-removable by user. Hinged door permits access to storage compartment for servicing of unit.

INSTALLATION:

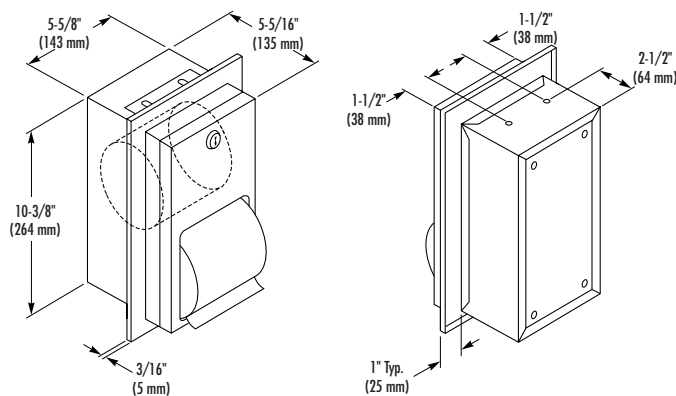
Requires rough wall opening 5-3/4"W x 10-1/2"H x 4"D. Top of wall opening 3'-0" above finished floor. For Barrier-Free applications, top of wall opening 30" above finished floor. Secure to framing with mounting screws (included) at holes provided. Shim at screw points as required.

GUIDE SPECIFICATION:

Recessed dual roll toilet tissue dispenser shall be heavy gauge satin finish stainless steel and hold two standard core toilet tissue rolls.

Overall dimensions: 7-5/8"W x 12-3/8"H x 5-5/16"D.

Recessed Dual Roll Toilet Tissue Dispenser shall be Bradley Model 5412.



Document No. 8550

This information is subject to change without formal notice.
© 2004 Bradley Corporation
5-6-2004

Orders composed of products indicated as **Bradex™** will be available to ship in one week after receipt of order at the factory. There is no pricing penalty for this service from Bradley.

Bradley

P.O. Box 309, Menomonee Falls, WI 53052-0309
Phone 1-800-BRADLEY FAX 262-253-4161
Web Site: <http://www.bradleycorp.com>