

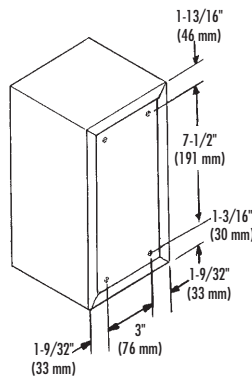
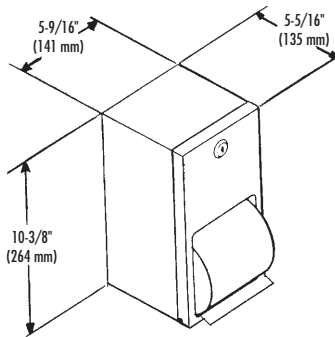


When installed as specified below, unit meets Barrier-Free requirements

# TOILET TISSUE DISPENSER

- Surface Mounted
- Dual Roll

**Bradex™**



## CONSTRUCTION:

- **CABINET** fabricated of type 304 (18-8), 22 gauge stainless steel with exposed surfaces in architectural satin finish. Welded construction with burr-free edges.
- **SERVICE DOOR** fabricated of type 304 (18-8), 22 gauge stainless steel with exposed surfaces in architectural satin finish and tumbler lock keyed like other Bradley units. Hinged at bottom.
- **SPINDLES** of molded polyethylene.

## CAPACITY:

Two standard core toilet tissue rolls through 5" in diameter.

## OPERATION:

Cabinet holds two rolls of 4-1/2" x 5" standard core toilet tissue, one above the other. When first roll is used-up, fresh roll automatically drops down for use. Unique retaining mechanism prevents use of spare roll until first roll is completely used. Spindles non-removable by user. Hinged door permits access to storage compartment for servicing of unit.

## INSTALLATION:

Secure to wall with mounting screws (included) at holes provided. For Barrier-Free applications, top of unit 30" above finished floor.

## GUIDE SPECIFICATION:

Surface mounted dual roll toilet tissue dispenser shall be heavy gauge satin finish stainless steel and hold two standard core toilet tissue rolls.

Overall dimensions: 5-9/16"W x 10-3/8"H x 5-5/16"D.

**Surface Mounted Dual Roll Toilet Tissue Dispenser shall be Bradley Model 5402.**

Orders composed of products indicated as **Bradex™** will be available to ship in one week after receipt of order at the factory. There is no pricing penalty for this service from Bradley.

Document No. 8545

This information is subject to change without formal notice.  
© 2004 Bradley Corporation  
5-6-2004

**Bradley**

P.O. Box 309, Menomonee Falls, WI 53052-0309  
Phone 1-800-BRADLEY FAX 262-253-4161  
Web Site: <http://www.bradleycorp.com>