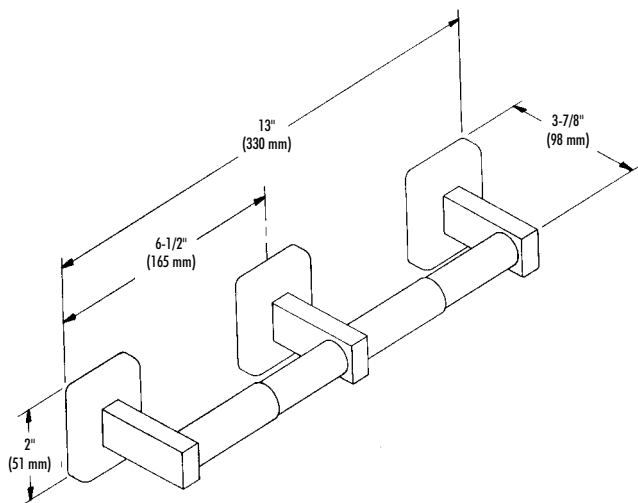
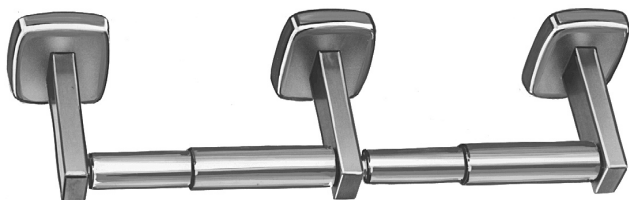


TOILET TISSUE DISPENSER

- Non-Controlled Delivery
- Double Roll
- Model 5234 – Satin Stainless Steel **Bradex™**
- Model 5235 – Bright Polish **Bradex™**



MODEL 5234
5235

CONSTRUCTION:

- **POSTS** fabricated of type 304 (18-8), 22 gauge stainless steel with exposed surfaces in architectural satin finish.
- **ESCUTCHEONS** fabricated of type 304 (18-8), heavy gauge stainless steel with exposed surfaces in architectural satin finish.
- **SPINDLES** fabricated of chrome-plated plastic.
- **MOUNTING BRACKET** fabricated of type 304 (18-8), 18 gauge stainless steel.

CAPACITY:

Two standard core toilet tissue rolls through 5-1/2" in diameter.

OPERATION:

Concealed spring permits spindles to telescope for servicing. Spindles turn freely for non-controlled delivery.

INSTALLATION:

Secure concealed wall mounting brackets to wall with mounting screws (included) at holes provided. Mount projecting arms and escutcheons to bracket and secure with concealed locking screws. Snap escutcheons into place.

OPTIONAL FEATURES:

Feature	Suffix
<input type="checkbox"/> Anti-theft spindle	-52

GUIDE SPECIFICATION:

Surface mounted double roll toilet tissue dispenser shall be heavy gauge stainless steel satin finish (bright polish finish) and hold two standard core toilet tissue rolls.

Overall dimensions: 13"W x 2"H x 3-7/8"D.

Surface Mounted Double Roll Toilet Tissue Dispenser shall be Bradley Model 5234 (5235).

Document No. 8515

This information is subject to change without formal notice.
1299RSSCJ

Orders composed of products indicated as **Bradex™** will be available to ship in one week after receipt of order at the factory. There is no pricing penalty for this service from Bradley.

Bradley 

P.O. Box 309, Menomonee Falls, WI 53052-0309

Phone 1-800-BRADLEY FAX 262-253-4161

Web Site: <http://www.bradleycorp.com>

Technical Information Fax Service: 1-800-BRADFAX