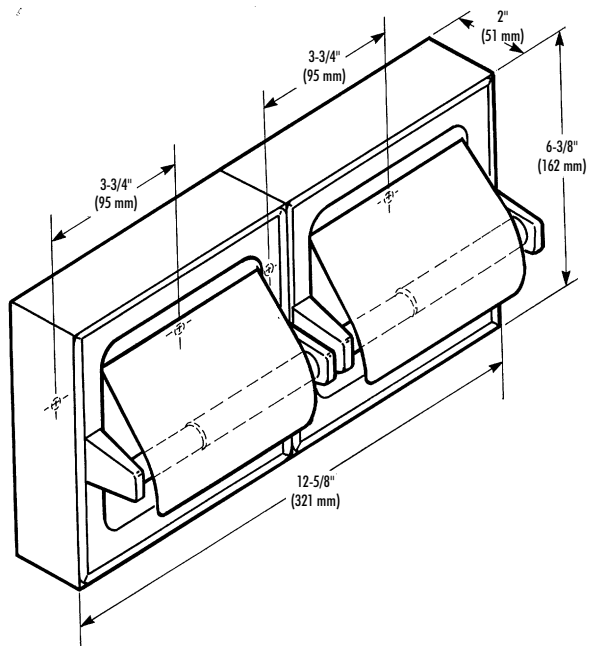
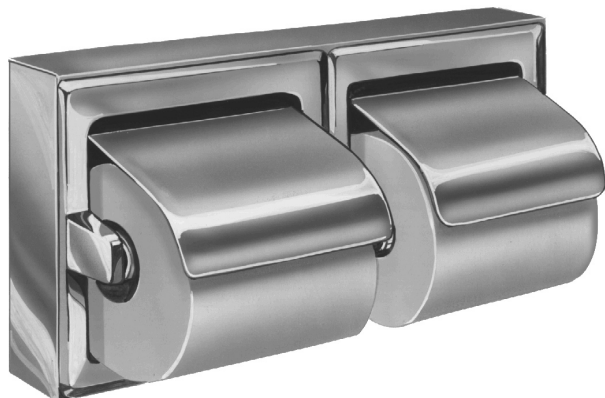


TOILET TISSUE DISPENSER

- Surface Mounted
- Hinged Hood
- Non-Controlled Delivery
- Dual Roll (For Single Roll See Model 5106)

Bradex™



CONSTRUCTION:

- **HOUSING AND HOODS** fabricated of type 304 (18-8) bright polished stainless steel.
- **SPINDLES** fabricated of chrome-plated plastic.

CAPACITY:

Two standard core toilet tissue rolls through 5-1/2" in diameter.

OPERATION:

Concealed spring permits spindle to telescope for servicing. Spindles turn freely for non-controlled delivery. Hinged hood prevents unintentional unraveling while keeping top tissue surface clean.

INSTALLATION:

Secure to wall with mounting screws (included) at holes provided.

OPTIONAL FEATURES:

Feature	Suffix
<input type="checkbox"/> Anti-theft spindle	-52

GUIDE SPECIFICATION:

Surface mounted roll toilet tissue dispenser with hinged hood shall be type 304 bright polished stainless steel and hold two standard core toilet tissue rolls.

Overall dimensions: 12-5/8"W x 6-3/8"H x 2"D.

Surface Mounted Dual Roll Toilet Tissue Dispenser shall be Bradley Model 5126.

Document No. 8490

This information is subject to change without formal notice.
1299RSSCJ

Orders composed of products indicated as **Bradex™** will be available to ship in one week after receipt of order at the factory. There is no pricing penalty for this service from Bradley.



P.O. Box 309, Menomonee Falls, WI 53052-0309
Phone 1-800-BRADLEY FAX 262-253-4161
Web Site: <http://www.bradleycorp.com>
Technical Information Fax Service: 1-800-BRADFAX