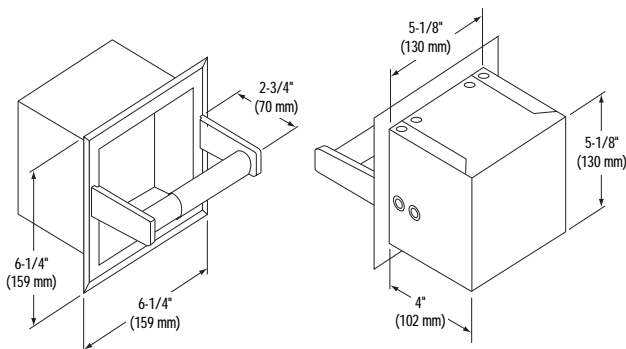
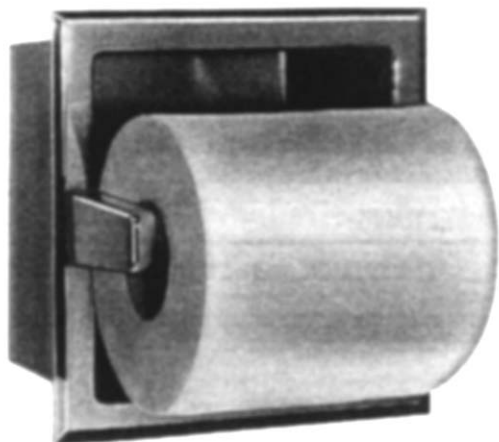


# TOILET TISSUE DISPENSER

- Recessed
- Non-Controlled Delivery
- Single Roll plus Spare Roll



### CONSTRUCTION:

- HOUSING of 23 gauge, type 304 polished stainless steel.
- POSTS fabricated of chrome-plated zinc.
- SPINDLE fabricated of chrome-plated plastic.

### CAPACITY:

One standard core toilet tissue roll through 5" in diameter, plus one spare roll behind spindled roll.

### OPERATION:

Concealed spring permits spindle to telescope for servicing. Spare roll stores behind spindled roll for easy access.

Spindle turns free for non-controlled delivery.

### INSTALLATION:

Requires rough wall opening 5-1/4"W x 5-1/4"H x 4"D. Secure to framing with appropriate anchoring devices at holes provided..

### OPTIONAL FEATURES:

| Feature                                     | Suffix |
|---------------------------------------------|--------|
| <input type="checkbox"/> Anti-theft spindle | -52    |

### GUIDE SPECIFICATION:

Recessed single roll toilet dispenser with spare roll storage shall be fabricated of galvanized steel (recessed box) and 304 stainless steel (frame) and hold one standard core toilet tissue roll and one spare roll.

Overall dimensions: 6-1/4"W x 6-1/4"H x 4"D

Recessed Single Roll Toilet Tissue Dispenser shall be Bradley Model 5105.