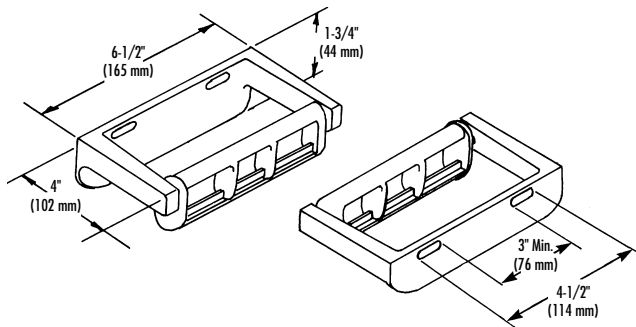


TOILET TISSUE DISPENSER

- Controlled Delivery—Rocking Action
- Single Roll (For Dual Roll See Model 5241)

Bradex™



CONSTRUCTION:

- **BRACKET** fabricated of die cast aluminum.
- **SPINDLE** fabricated of gray polystyrene. Stainless steel spring.

CAPACITY:

One standard core toilet tissue roll through 5-1/2" in diameter.

OPERATION:

Remove tissue roll core to access special locking mechanism for servicing. Stops on spindle control paper delivery. Spindle revolves only 1/2 turn for each dispensing operation and returns to original position.

INSTALLATION:

Secure to wall with mounting screws (included) at holes provided.

OPTIONAL FEATURES:

Feature	Suffix
<input type="checkbox"/> Non-controlled delivery	-50

Bradex™

GUIDE SPECIFICATION:

Surface mounted toilet tissue dispenser shall be die cast aluminum with satin finish and hold one standard core toilet tissue roll. Stops control paper delivery.

Overall dimensions: 6-1/2"W x 1-3/4"H x 4"D.

Surface Mounted Toilet Tissue Dispenser shall be Bradley Model 5071.

Document No. 8440

This information is subject to change without formal notice.
© 2004 Bradley Corporation
2-11-2005

Orders composed of products indicated as **Bradex™** will be available to ship in one week after receipt of order at the factory. There is no pricing penalty for this service from Bradley.

Bradley 

P.O. Box 309, Menomonee Falls, WI 53052-0309
Phone 1-800-BRADLEY FAX 262-253-4161
Web Site: <http://www.bradleycorp.com>