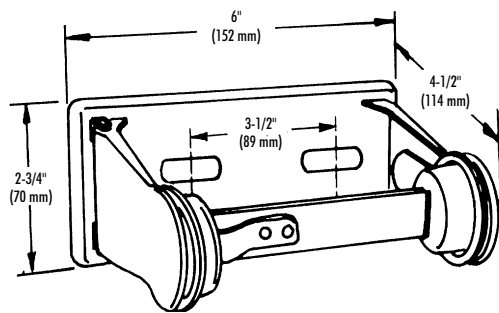


TOILET TISSUE DISPENSER

- Controlled Delivery
- Single Roll (For Dual Roll See Model 5224)

Bradex™



CONSTRUCTION:

- UNIT fabricated of heavy gauge satin chrome plated steel.

CAPACITY:

One standard core toilet tissue roll through 6" in diameter.

OPERATION:

Remove tissue roll core to access special locking mechanism for servicing. Tension spring controls paper delivery.

INSTALLATION:

Secure to wall with mounting screws (included) at holes provided.

GUIDE SPECIFICATION:

Surface mounted toilet tissue dispenser shall be heavy gauge chrome plated steel and hold one standard core toilet tissue roll.

Tension spring controls paper delivery.

Overall dimensions: 6"W x 2-3/4"H x 4-1/2"D.

Surface Mounted Toilet Tissue Dispenser shall be Bradley Model 5054.

Document No. 8435

This information is subject to change without formal notice.
1299RSSCJ

Orders composed of products indicated as **Bradex™** will be available to ship in one week after receipt of order at the factory. There is no pricing penalty for this service from Bradley.

Bradley 

P.O. Box 309, Menomonee Falls, WI 53052-0309

Phone 1-800-BRADLEY FAX 262-253-4161

Web Site: <http://www.bradleycorp.com>

Technical Information Fax Service: 1-800-BRADFAX