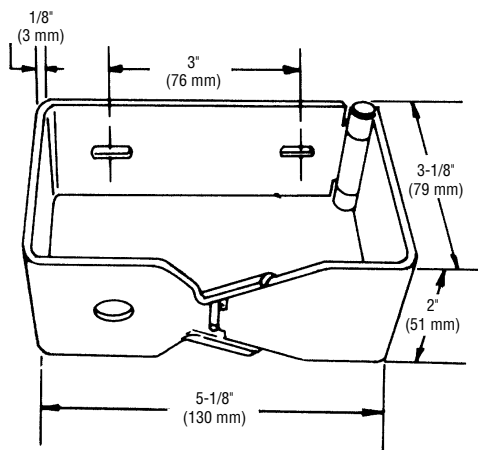


# TOILET TISSUE DISPENSER

- Controlled Delivery
- Single Roll

*Bradex™*



## MODEL 5053

### CONSTRUCTION:

- UNIT fabricated of 1/8" thick epoxy-coated aluminum. One piece construction with hinged arm and snap lock, which is concealed by tissue roll. No removable parts.

### CAPACITY:

One standard core toilet tissue roll through 4-1/2" in diameter.

### OPERATION:

Remove tissue roll core to access snap lock for servicing.

### INSTALLATION:

Secure to wall with mounting screws (not included) at holes provided.

### GUIDE SPECIFICATION:

Surface mounted toilet tissue dispenser shall be 1/8" thick anodized aluminum and hold one standard core toilet tissue roll.

Overall dimensions: 5-1/8"W x 2"H x 3-1/8"D.

**Surface Mounted Toilet Tissue Dispenser shall be Bradley Model 5053.**

Orders composed of products indicated as *Bradex™* will be available to ship in one week after receipt of order at the factory. There is no pricing penalty for this service from Bradley.

Document No. 8430

This information is subject to change without formal notice.  
0501BLCJ

**Bradley** 

P.O. Box 309, Menomonee Falls, WI 53052-0309  
Phone 1-800-BRADLEY FAX 262-253-4161  
Web Site: <http://www.bradleycorp.com>  
Technical Information Fax Service: 1-800-BRADFAX