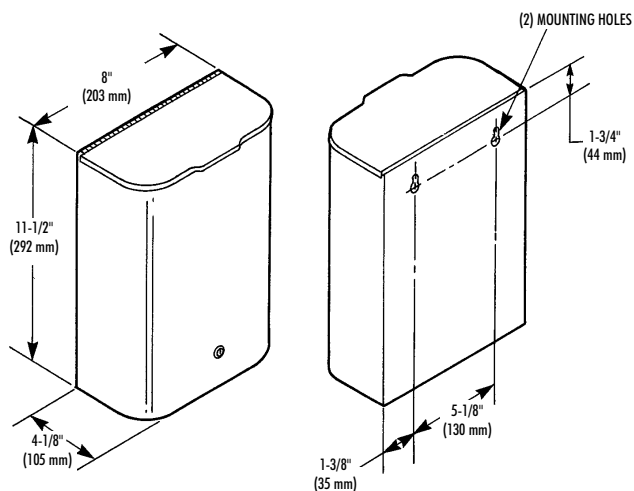


NAPKIN DISPOSAL

- Surface Mounted
Bradex™



CONSTRUCTION:

- **COVER** fabricated of type 304 (18-8), 22 gauge stainless steel with exposed surfaces in architectural satin finish. Heavy duty stainless steel piano hinge.
- **CONTAINER** fabricated of type 304 (18-8), 22 gauge stainless steel with exposed surfaces in architectural satin finish. All welded construction with rounded front corners. Bottom equipped with lock and heavy duty stainless steel piano hinge.

OPERATION:

Bottom opens for removal of waxed paper liner. Additional liners available from Bradley.

INSTALLATION:

Secure to wall or partition with mounting screws (included) at holes provided.

GUIDE SPECIFICATION:

Surface mounted napkin disposal shall be fabricated of type 304 (18-8), 22 gauge stainless steel with exposed surfaces in satin finish. Top attached by piano hinge. Bottom hinged for easy servicing.

Overall dimensions: 8"W x 11-1/2"H x 4-1/8"D.

Surface Mounted Napkin Disposal shall be Bradley Model 4781-15.

Orders composed of products indicated as **Bradex™** will be available to ship in one week after receipt of order at the factory. There is no pricing penalty for this service from Bradley.

Document No. 8415

This information is subject to change without formal notice.
1299RSSCJ



P.O. Box 309, Menomonee Falls, WI 53052-0309
Phone 1-800-BRADLEY FAX 262-253-4161
Web Site: <http://www.bradleycorp.com>
Technical Information Fax Service: 1-800-BRADFAX