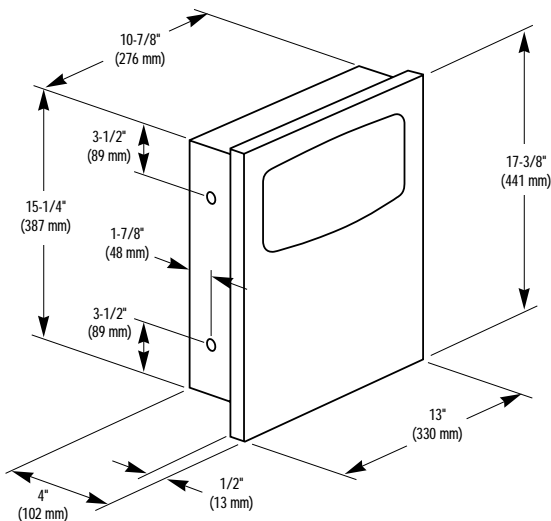
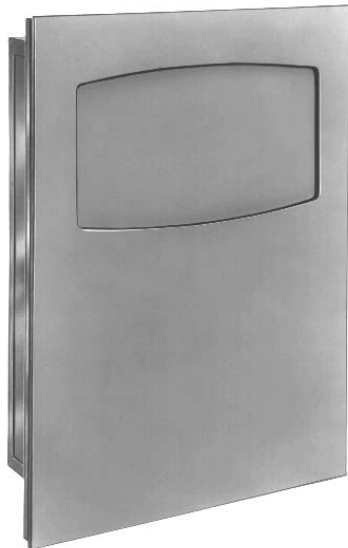




NAPKIN DISPOSAL

- Accent Series – Color Laminate
- Specify color _____
(See color chart in back of catalog)
- Model 4738 – Recessed
- Model 4738-10 – Semi-recessed
(recesses 2"; projects 2")
- Model 4738-11 – Surface Mounted (projects 4")



CONSTRUCTION:

- **CABINET** fabricated of type 304 (18-8), 22 gauge stainless steel with exposed surfaces in architectural satin finish. Welded construction with burr-free edges.
- **DOOR** fabricated of 5/16" thick solid laminate, made of colored Melamine bonded under pressure to a phenolic core. All exposed edges are machined smooth to a uniform dark finish. Attached to cabinet with full length, heavy duty stainless steel piano hinge. Equipped with a latch. Tumbler lock optional.
- **PUSH FLAP DOOR** fabricated of same material as cabinet door. Heavy duty stainless steel piano hinge.
- **WASTE RECEPTACLE INSERT** fabricated of leakproof molded plastic.

CAPACITY:

1.5 gal. (.2 cu. ft.)

OPERATION:

Waste container removable by opening cabinet door. Furnished with waxed paper liner.

INSTALLATION:

Recessed unit requires rough wall opening 11-3/8"W x 15-3/4"H x 4"D (Semi-recessed unit only 2" deep). Top of wall opening 2'-9" above finished floor. Secure to framing with mounting screws (included) at holes provided. Shim at screw points as required.

OPTIONAL FEATURE:

Feature	Suffix
<input type="checkbox"/> Tumbler Lock	-15

GUIDE SPECIFICATION:

Recessed napkin disposal shall be fabricated of type 304 (18-8), stainless steel. Cabinet door of 5/16" thick solid laminate with full length concealed piano hinge and a latch. Self-closing push flap door secured by piano hinge. Removable 1.5 gal. molded plastic receptacle.

Overall dimensions: 13"W x 17-3/4"H x 4"D.

Recessed Napkin Disposal shall be Bradley Model 4738- _____ (specify Bradley color number.)

Document No. 8410