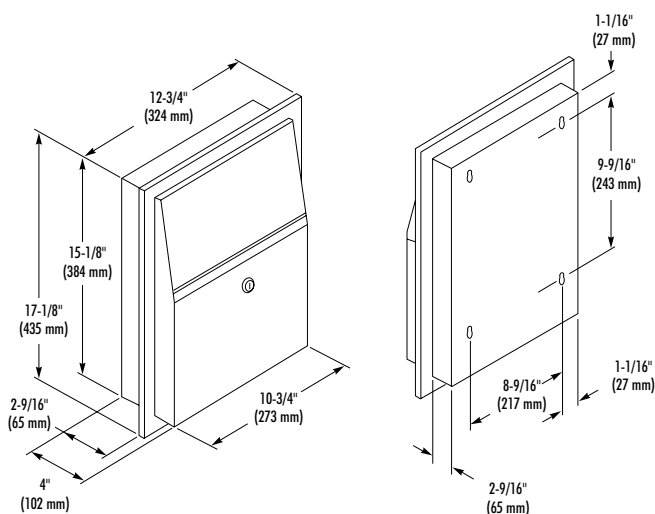


# NAPKIN DISPOSAL

- Semi-recessed
- Single End Compartment

**Bradex™**



## CONSTRUCTION:

- **FLANGE** fabricated of type 304 (18-8), 22 gauge stainless steel with exposed surfaces in architectural satin finish. One piece seamless construction, 1" wide with 1/4" return.
- **CABINET** fabricated of type 304 (18-8), 22 gauge stainless steel. All welded construction.
- **PUSH FLAP DOOR** fabricated of type 304 (18-8), 22 gauge stainless steel with exposed surfaces in architectural satin finish. Heavy duty stainless steel piano hinge. Self-closing flap door.
- **WASTE CONTAINER** fabricated of type 304 (18-8), 22 gauge stainless steel with tumbler locks keyed like other Bradley units.

## CAPACITY:

1.5 gal. (.2 cu. ft.)

## OPERATION:

Waste container removable from one side with finger grip. Furnished with waxed paper liner. Additional liners available from Bradley.

## INSTALLATION:

Requires partition opening 11"W x 15-3/8"H x 2-1/2"D. Top of wall opening 2'-9" above finished floor. Secure unit to framing with mounting screws (included) at holes provided. Shim at screw points as required.

## GUIDE SPECIFICATION:

Semi-recessed napkin disposal shall be fabricated of type 304 (18-8), 22 gauge stainless steel with exposed surfaces in satin finish. Self-closing push flap door and removable stainless steel receptacle with tumbler lock.

Overall dimensions: 12-3/4"W x 17-1/8"H x 4"D.

**Semi-recessed Napkin Disposal shall be Bradley Model 4722-10-15.**

Orders composed of products indicated as **Bradex™** will be available to ship in one week after receipt of order at the factory. There is no pricing penalty for this service from Bradley.

Document No. 8390

This information is subject to change without formal notice.  
1299RSSCJ



P.O. Box 309, Menomonee Falls, WI 53052-0309  
Phone 1-800-BRADLEY FAX 262-253-4161  
Web Site: <http://www.bradleycorp.com>  
Technical Information Fax Service: 1-800-BRADFAX