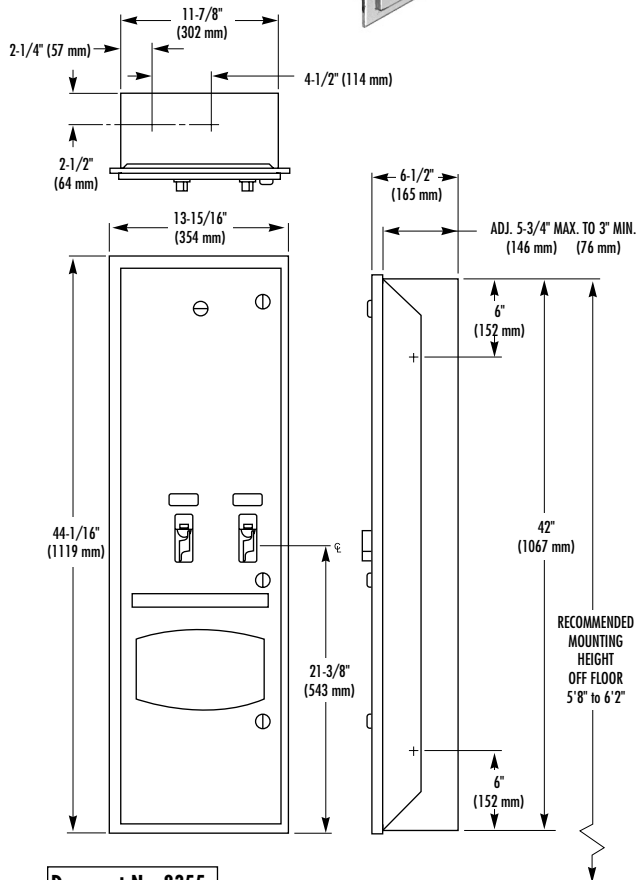


NAPKIN/TAMPON VENDOR WITH DISPOSAL

● Recessed or Semi-recessed Installation

Must Specify Operation

- Free – 40
- 10¢ – 42
- 25¢ – 45
- 50¢ – 43



Document No. 8355

This information is subject to change without formal notice.
© 2004 Bradley Corporation
12-21-2004

CONSTRUCTION:

- **FLANGE** fabricated of type 304 (18-8), 22 gauge stainless steel with exposed surfaces in architectural satin finish. Flange of one piece seamless construction, 1" wide with 1/4" return. Slip type flange permits partial or full recess installation, or can be discarded for surface mounting.
- **CABINET** fabricated of type 304 (18-8), 22 gauge stainless steel with exposed surfaces in architectural satin finish. Welded construction with burr-free edges.
- **DOOR** fabricated of type 304 (18-8), 18 gauge stainless steel with exposed surfaces in architectural satin finish, with full length piano hinge and two tumbler locks keyed like other Bradley units.
- **COIN BOX** inside cabinet fabricated of 22 gauge stainless steel, secured by a separate lock keyed differently than door locks. Coin mechanisms are available with free, \$.10, .25 or .50 operation. Two mechanisms are included. Coin mechanism may be replaced in the field without removing cabinet from wall.
- **PUSH FLAP DOOR** fabricated of type 304 (18-8), 22 gauge stainless steel with exposed surfaces in architectural satin finish. Heavy duty stainless steel piano hinge.
- **WASTE RECEPTACLE INSERT** fabricated of leakproof molded plastic. Waxed paper liner included.

CAPACITY:

30 napkins (3" x 4-1/4" x 1" or smaller) and 28 tampons (5-1/8" long x 3/4" dia. or smaller). Dispenses all popular brands. Waste receptacle: 1.5 gal. (.2 cu. ft.)

OPERATION:

Insertion of coin permits clockwise rotation of handle to dispense product. Will not accept coin when vendor is empty. Access door allows servicing of unit.

INSTALLATION:

Requires rough wall opening 12-1/2"W x 42-3/8"H x 6"D (fully recessed). Secure flange to rough wall opening using screws (included). Insert cabinet through flange into wall opening. Top of wall opening 5'8" to 6'2" from finished floor. For Barrier-Free applications, top of wall opening 5'2-1/8" from finished floor. Secure cabinet to framing with screws (included) at holes provided. Shim at screw points as required.

GUIDE SPECIFICATION:

Recessed or semi-recessed combination napkin/tampon vendor and disposal shall be fabricated of type 304 (18-8), 22 gauge stainless steel with exposed surfaces in satin finish. Door shall be fabricated of 18 gauge stainless steel with a full length piano hinge and two tumbler locks keyed like other Bradley units. Two coin mechanisms shall permit dispensing thirty napkins and twenty-eight tampons and be available for free, \$.10, .25 and .50 coin operation. Self-closing push flap door secured by piano hinge. Removable molded plastic receptacle.

Recessed or Semi-recessed Combination Napkin/Tampon Vendor and Disposal shall be Bradley Model 403-_____ (specify coin operation).



P.O. Box 309, Menomonee Falls, WI 53052-0309
Phone 1-800-BRADLEY FAX 262-253-4161
Web Site: <http://www.bradleycorp.com>