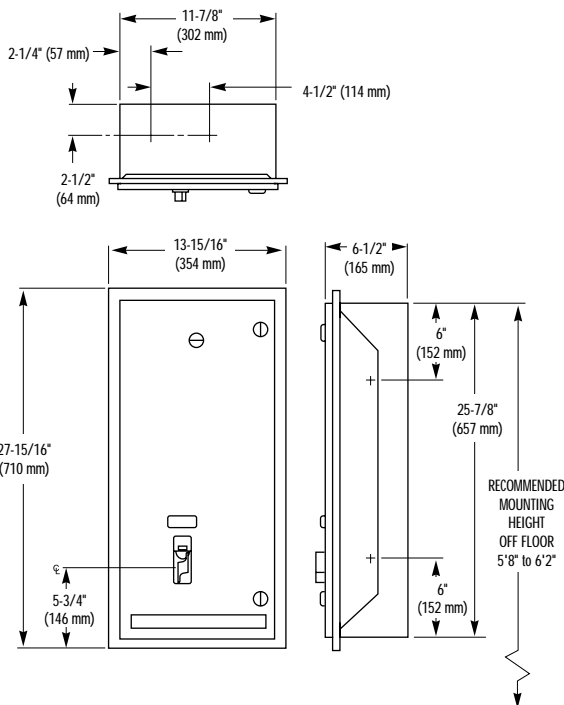


# NAPKIN VENDOR

- Recessed or Semi-recessed Installation  
Must Specify Operation

- Free – 40
- 10¢ – 42
- 25¢ – 45
- 50¢ – 43



## CONSTRUCTION:

- **FLANGE** fabricated of type 304 (18-8), 22 gauge stainless steel with exposed surfaces in architectural satin finish. Flange of one piece seamless construction, 1" wide with 1/4" return. Slip type flange permits partial or full recess installation, or can be discarded for surface mounting.
- **CABINET** fabricated of type 304 (18-8), 22 gauge stainless steel with exposed surfaces in architectural satin finish. Welded construction with burr-free edges.
- **DOOR** fabricated of type 304 (18-8), 18 gauge stainless steel with exposed surfaces in architectural satin finish, with full length piano hinge and two tumbler locks keyed like other Bradley units.
- **COIN BOX** inside cabinet fabricated of 22 gauge stainless steel, secured by a separate lock keyed differently than door locks. Coin mechanism is available with free, \$.10, .25 or .50 operation. One mechanism is included. Coin mechanism may be replaced in the field without removing cabinet from wall.

## CAPACITY:

30 napkins (3" x 4-1/4" x 1" or smaller). Dispenses all popular brands.

## OPERATION:

Insertion of coin permits clockwise rotation of handle to dispense product. Will not accept coin when vendor is empty. Access door allows servicing of unit.

## INSTALLATION:

Requires rough wall opening 12-1/2"W x 26-3/8"H x 6"D (fully recessed). Top of wall opening 5'8" to 6'2" from finished floor. For Barrier-Free applications, top of wall opening 5'2-1/8" from finished floor. Secure flange to rough wall opening using screws (included). Insert cabinet through flange into wall opening. Secure cabinet to framing with screws (included) at holes provided. Shim at screw points as required.

## GUIDE SPECIFICATION:

Recessed or semi-recessed napkin vendor shall be fabricated of type 304 (18-8), 22 gauge stainless steel with exposed surfaces in satin finish. Door shall be fabricated of 18 gauge stainless steel with a full length piano hinge and two tumbler locks keyed like Bradley units. Coin mechanism shall permit dispensing thirty napkins and be available for free, \$.10, .25 and .50 coin operation.

Recessed or Semi-recessed Napkin Vendor shall be Bradley Model 402-\_\_\_\_\_(specify coin operation).

Document No. 8350

This information is subject to change without formal notice.  
© 2003 Bradley Corporation  
9-29-2003



P.O. Box 309, Menomonee Falls, WI 53052-0309  
Phone 1-800-BRADLEY FAX 262-253-4161  
Web Site: <http://www.bradleycorp.com>  
Technical Information Fax Service: 1-800-BRADFAX