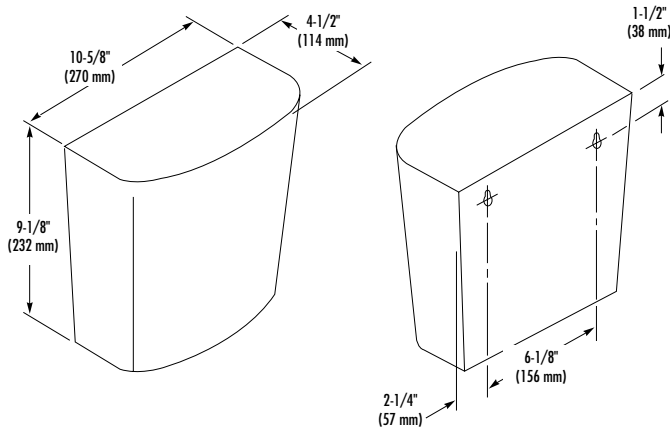


## WASTE RECEPTACLE

### ● Surface Mounted Facial Tissue Receptacle



# MODEL 359

#### CONSTRUCTION:

- UNIT fabricated of type 304 (18-8), 22 gauge stainless steel with exposed surfaces in architectural satin finish. All welded construction with rounded front corners.

#### CAPACITY:

1.5 gal. (.2 cu. ft.).

#### OPERATION:

Receptacle furnished with removable wet-strength paper liner. Additional liners available from Bradley.

#### INSTALLATION:

Secure to wall with appropriate anchoring devices at 2 mounting holes provided. Mounting screws included.

#### GUIDE SPECIFICATION:

Surface mounted facial tissue receptacle shall be fabricated of type 304 (18-8), 22 gauge stainless steel with seamless exposed surfaces in satin finish. Capacity is 1.5 gal.

Overall dimensions: 10-5/8"W x 9-1/8"H x 4-1/2"D.

**Surface Mounted Facial Tissue Receptacle shall be Bradley Model 359.**

Document No. 8325

This information is subject to change without formal notice.  
© 2004 Bradley Corporation  
12-21-2004

**Bradley** 

P.O. Box 309, Menomonee Falls, WI 53052-0309  
Phone 1-800-BRADLEY FAX 262-253-4161  
Web Site: <http://www.bradleycorp.com>