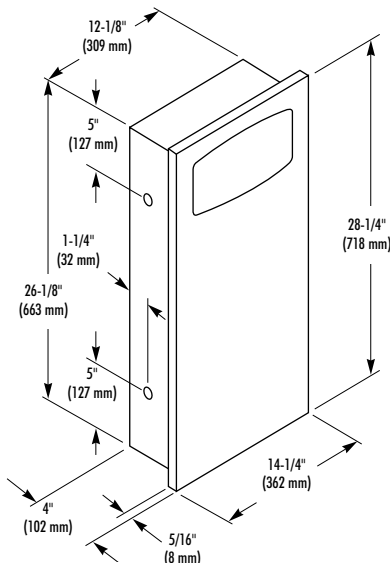
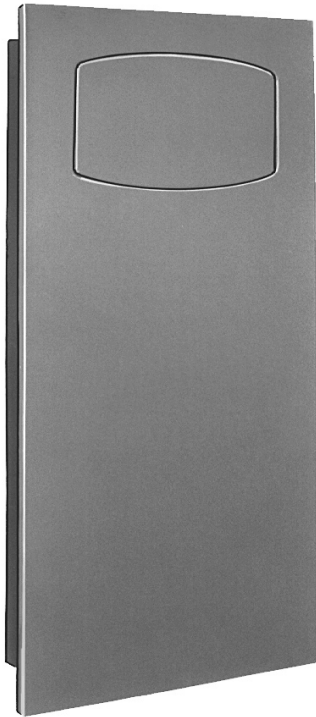


# WASTE RECEPTACLE

- Accent Series – Color Laminate
- Specify color \_\_\_\_\_  
(See color chart in back of catalog)
- Model 3258 – Recessed
- Model 3258-10 – Semi-recessed  
(recesses 2"; projects 2")
- Model 3258-11 – Surface Mounted (projects 4")



Document No. 8290

This information is subject to change without formal notice.  
1299RSSCJ

**CONSTRUCTION:**

- **CABINET** fabricated of type 304 (18-8), 22 gauge stainless steel with exposed surfaces in architectural satin finish. Welded construction with seamless corners and burr-free edges.
- **DOOR** fabricated of 5/16" thick solid laminate, made of colored Melamine bonded under high pressure to a phenolic core. All exposed edges are machined smooth to a uniform dark finish. Attached to cabinet with full length, heavy duty stainless steel piano hinge. Equipped with a latch. Tumbler lock optional.
- **PUSH FLAP DOOR** is same material as cabinet door. Heavy duty stainless steel piano hinge.
- **WASTE RECEPTACLE INSERT** fabricated of leakproof molded plastic.

**CAPACITY:**

2.8 gal. (.37 cu. ft.).

**OPERATION:**

Waste receptacle insert removable by opening cabinet door.

**INSTALLATION:**

Recessed unit requires rough wall opening 12-5/8"W x 26-5/8"H x 4"D (Semi-recessed unit only 2" deep). Top of wall opening 4'-3" above finished floor. For Barrier-Free applications, top of wall opening 3'-7" above finished floor. Secure to framing with mounting screws (included) at holes provided. Shim at screw points as required.

**OPTIONAL FEATURES:**

Feature	Suffix
<input type="checkbox"/> Tumbler lock	-15

**GUIDE SPECIFICATION:**

Recessed waste receptacle shall be fabricated of type 304 (18-8), heavy gauge stainless steel. Cabinet door of 5/16" thick solid laminate with full length piano hinge and secured by a latch. Removable 2.8 gal. leakproof molded plastic insert for waste receptacle.

Overall dimensions: 14-1/4"W x 28-1/4"H x 4"D.

Recessed Waste Receptacle shall be Bradley Model 3258-\_\_\_\_\_.  
(Specify Bradley color number.)



P.O. Box 309, Menomonee Falls, WI 53052-0309  
Phone 1-800-BRADLEY FAX 262-253-4161  
Web Site: <http://www.bradleycorp.com>  
Technical Information Fax Service: 1-800-BRADFAX