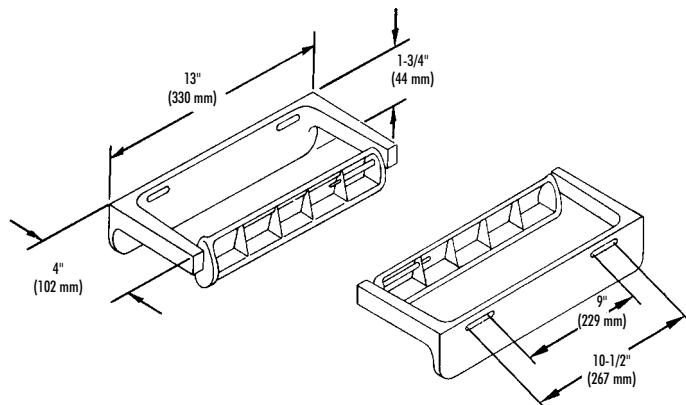
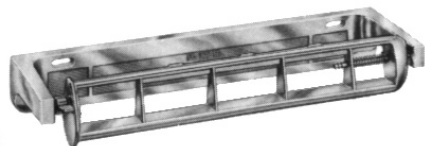


TOWEL DISPENSER

- Surface Mounted
- Roll Paper Towels

Bradex™



CONSTRUCTION:

- **BRACKET** fabricated of die-cast aluminum.
- **SPINDLE** fabricated of die-cast aluminum with stainless steel spring.

CAPACITY:

One roll standard core paper towels to 6" diameter.

OPERATION:

Remove tissue roll core to access special locking mechanism for servicing. Stops on spindle control paper delivery. Spindle revolves only 1/2 turn for each dispensing operation and returns to original position.

INSTALLATION:

Secure to wall with mounting screws (included) at holes provided.

GUIDE SPECIFICATION:

Surface mounted roll paper towel dispenser shall be die-cast aluminum with satin finish, accommodate one standard core paper towel roll and include a controlled delivery mechanism.

Overall dimensions: 13"W x 1-3/4"H x 4"D.

Surface Mounted Roll Paper Towel Dispenser shall be Bradley Model 259.

Orders composed of products indicated as **Bradex™** will be available to ship in one week after receipt of order at the factory. There is no pricing penalty for this service from Bradley.

Document No. 8230

This information is subject to change without formal notice.
1299RSSCJ



P.O. Box 309, Menomonee Falls, WI 53052-0309
Phone 1-800-BRADLEY FAX 262-253-4161
Web Site: <http://www.bradleycorp.com>
Technical Information Fax Service: 1-800-BRADFAX