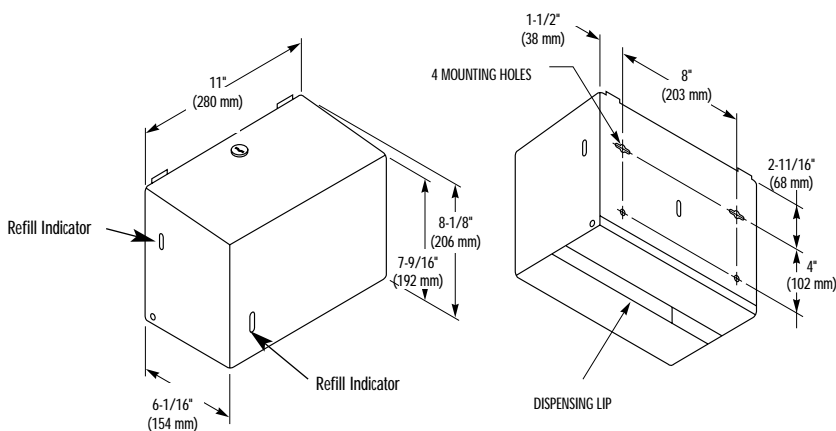


TOWEL DISPENSER

- Surface Mounted
- Single-Fold Towels
- Tumbler Lock

BradEx™



NOTE: Refill Indicator on all three sides.

MODEL 251-15



When installed as specified below, unit meets Barrier-Free requirements

CONSTRUCTION:

- UNIT fabricated of type 304 (18-8), 22 gauge stainless steel with exposed surfaces in architectural satin finish. Smooth corners, free of burrs and sharp edges. Tumbler lock keyed like other Bradley units. Front of cabinet hinged at bottom to allow easy filling. Refill indicator slot on both sides and front of cabinet. Rolled edge on dispenser opening.

CAPACITY:

400 single-fold paper towels.

OPERATION:

Unit holds single-fold towels without use of special adaptor.

INSTALLATION:

Secure to wall with mounting screws (included) at holes provided.

GUIDE SPECIFICATION:

Surface mounted towel dispenser shall be fabricated of type 304 (18-8), 22 gauge stainless steel with exposed surfaces in satin finish. Refill indicator on both sides and front of cabinet. Tumbler lock to secure hinged cabinet. Towel dispenser capacity 400 single-fold towels.

Overall dimensions: 11"W x 8-1/8"H x 6-1/16"D.

Surface Mounted Towel Dispenser shall be Bradley Model 251-15.

Orders composed of products indicated as BradEx™ will be available to ship in one week after receipt of order at the factory. There is no pricing penalty for this service from Bradley.

Document No. 8215

This information is subject to change without formal notice.
© 2003 Bradley Corporation
9-29-2003

Bradley

P.O. Box 309, Menomonee Falls, WI 53052-0309
Phone 1-800-BRADLEY FAX 262-253-4161
Web Site: <http://www.bradleycorp.com>
Technical Information Fax Service: 1-800-BRADFAX