
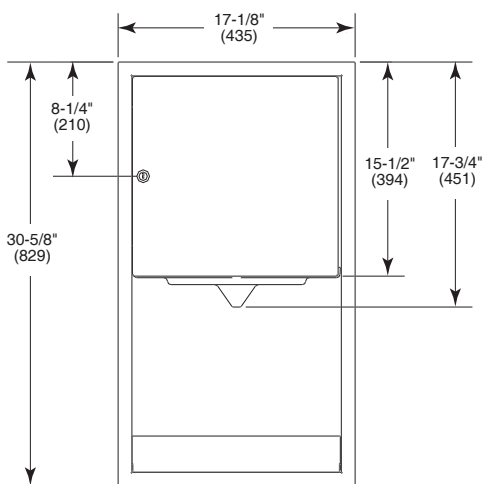
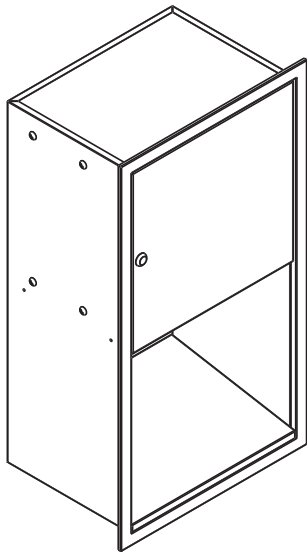



TOWEL DISPENSER

- Center Pull Towel Dispenser
- Model 2479-000000 – Recess Mounted  (recesses 11-1/8") **Bradex™**
- Model 2479-100000 – Semi-recessed Mounted (recesses 3-1/2", projects 8") **Bradex™**



MODEL 2479-000000

 When installed as specified below, unit meets Barrier-Free requirements

CONSTRUCTION:

- **CABINET** fabricated of type 304 (18-8), 22 gauge stainless steel with exposed surfaces in satin finish. All welded construction.
- **DOOR** fabricated of type 304 (18-8), 18 gauge stainless steel with exposed surfaces in satin finish. Door secured with full length stainless steel piano hinge and tumbler lock keyed like other Bradley accessory items.
- **TOWEL DISPENSER** Fabricated of black ABS plastic.

CAPACITY:

One standard core center pull towel roll up to 9" wide x 9" diameter.

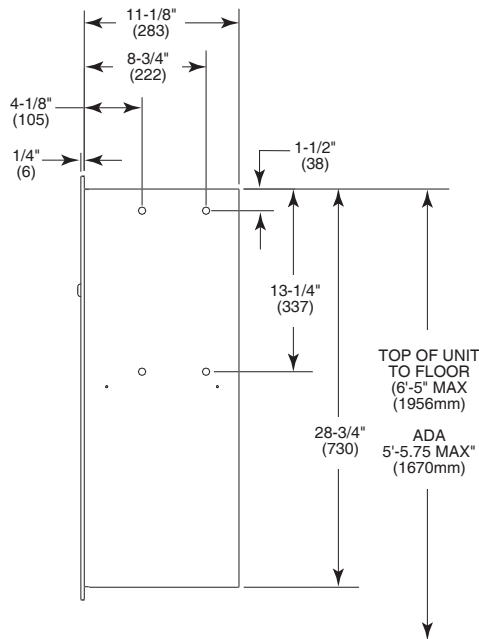
INSTALLATION:

Recessed unit requires rough wall opening 15-3/16"W x 28-3/4"H x 11-1/8"D (Semi-recessed unit requires 3-1/2"D). Top of wall opening 77" max above finished floor. Barrier-free application; top of wall opening 44-1/2" from finished floor. Secure to framing with mounting screws (included) at holes provided. Shim at screw points as required.

GUIDE SPECIFICATION:

Recessed or semi-recessed towel dispenser shall be fabricated of type 304 (18-8), stainless steel with exposed surfaces in satin finish. Cabinet door shall have full length piano hinge and be secured with tumbler lock. Towel dispenser to accommodate one standard center pull paper towel roll up to 9" wide x 9" diameter.

Overall dimensions: 17-1/8"W x 30-5/8"H x 11-1/8"D.



Orders composed of products indicated as **Bradex™** will be available to ship in one week after receipt of order at the factory. There is no pricing penalty for this service from Bradley.

Document No. 8196

