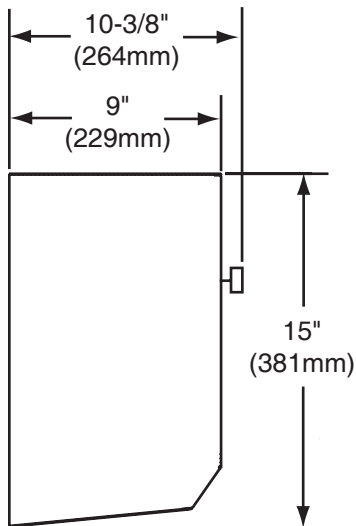
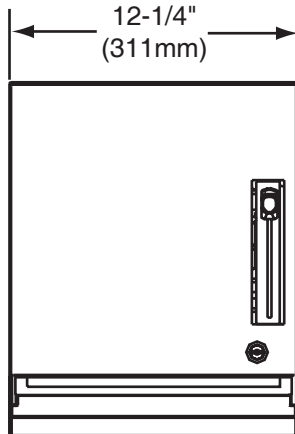


## TOWEL DISPENSER

- Roll Paper Towel **Bradex™**
- Model 2483-000000 – Surface Mounted



### CONSTRUCTION:

- **CABINET** fabricated of type 304 (18-8), 22 gauge stainless steel with exposed surfaces in satin finish. All welded construction.
- **DOOR** fabricated of type 304 (18-8), 18 gauge stainless steel with exposed surfaces in satin finish. Door secured with full length stainless steel piano hinge and tumbler lock keyed like other Bradley accessory items.
- **TOWEL DISPENSER** Furnished (manufactured by others).

### CAPACITY:

One standard core 8" or 9"W x 800'L roll paper towel roll.

### OPERATION:

Towel dispenser delivers preset length of towel (2-1/2", 4" or 5" per stroke) by depressing lever. Operates with less than 5 lbs. of force to meet ADA requirements.

### INSTALLATION:

Secure to wall with four mounting screws (included) through holes in back of towel dispenser mechanism.

### GUIDE SPECIFICATION:

Surface mounted towel dispenser shall be fabricated of type 304 (18-8), stainless steel with exposed surfaces in satin finish. Cabinet door shall have full length piano hinge and be secured with tumbler lock. Towel dispenser capacity shall be one standard core 8" or 9" W x 800' L paper towel roll.

Overall dimensions: 12-1/4"W x 15"H x 10-3/8"D.

Document No. 8193

Orders composed of products indicated as **Bradex™** will be available to ship in one week after receipt of order at the factory. There is no pricing penalty for this service from Bradley.

**Bradley** 

P.O. Box 309, Menomonee Falls, WI 53052-0309  
Phone 1-800-BRADLEY FAX 262-253-4161  
Web Site: <http://www.bradleycorp.com>