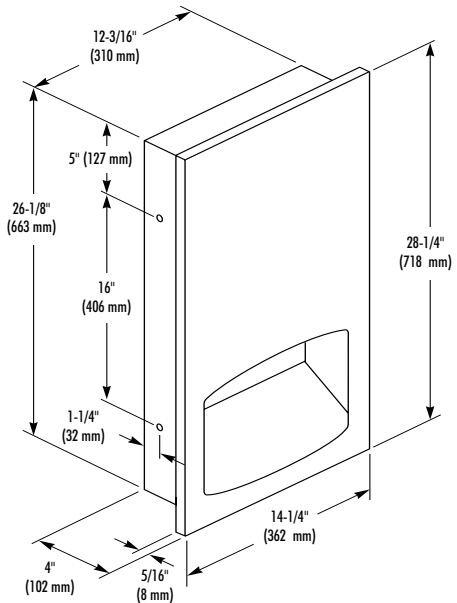


TOWEL DISPENSER

- Accent Series – Color Laminate
- Specify color _____
(See color chart in back of catalog)
- Model 2448 – Recessed
- Model 2448-10 – Semi-recessed (recesses 1-5/8"; projects 2-3/8")
- Model 2448-11 – Surface Mounted (projects 4")



Document No. 8175

This information is subject to change without formal notice.
1299RSSCJ

CONSTRUCTION:

- **CABINET** fabricated of type 304 (18-8), 22 gauge stainless steel with exposed surfaces in architectural satin finish. Welded construction with seamless corners and burr-free edges.
- **DOOR** fabricated of 5/16" thick solid laminate, made of colored Melamine bonded under high pressure to a phenolic core. All exposed edges are machined smooth to a uniform dark finish. Attached to cabinet with full length, heavy duty stainless steel piano hinge. Equipped with a latch. Tumbler lock optional.
- **TOWEL DISPENSER** fabricated of type 304 (18-8), 22 gauge stainless steel. Rolled edge on dispenser opening.

CAPACITY:

800 multi-fold or 500 C-fold paper towels.

OPERATION:

Towel dispenser holds multi-fold or C-fold towels without use of special adaptor.

INSTALLATION:

Recessed unit requires rough wall opening 12-11/16"W x 26-5/8"H x 4"D (Semi-recessed unit only 2" deep). Top of wall opening 6'-5" above finished floor. For Barrier-Free applications, top of wall opening 4'-9" above finished floor. Secure to framing with mounting screws (included) at holes provided. Shim at screw points as required.

OPTIONAL FEATURES:

Feature	Suffix
<input type="checkbox"/> Tumbler lock	-15

GUIDE SPECIFICATION:

Recessed towel dispenser shall be fabricated of type 304 (18-8), heavy gauge stainless steel. Cabinet door of 5/16" thick solid laminate with full length piano hinge and secured by a latch. Towel dispenser capacity 800 multi-fold or 500 C-fold towels.

Overall dimensions: 14-1/4"W x 28-1/4"H x 4-1/8"D.

Recessed Towel Dispenser shall be Bradley Model 2448 _____
(specify Bradley color number).



P.O. Box 309, Menomonee Falls, WI 53052-0309
Phone 1-800-BRADLEY FAX 262-253-4161
Web Site: <http://www.bradleycorp.com>
Technical Information Fax Service: 1-800-BRADFAX