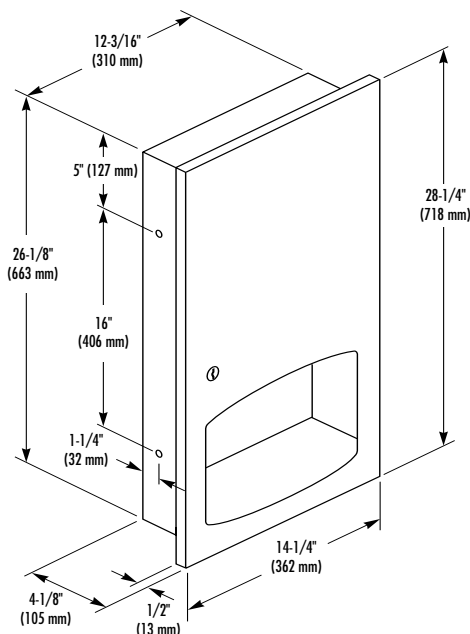




When installed as specified below, unit meets Barrier-Free requirements

TOWEL DISPENSER

- Contemporary Series – Satin Finish
- Model 2447 – Recessed
- Model 2447-10 – Semi-recessed (recesses 1-5/8"; projects 2-1/2")
- Model 2447-11 – Surface Mounted (projects 4-1/8")



Document No. 8170

This information is subject to change without formal notice.
© 2004 Bradley Corporation
12-21-2004

CONSTRUCTION:

- **CABINET** fabricated of type 304 (18-8), 22 gauge stainless steel with exposed surfaces in architectural satin finish. Welded construction with seamless corners and burr-free edges.
- **DOOR** fabricated of type 304 (18-8), 18 gauge stainless steel. 1/2" return for maximum rigidity. Concealed full length stainless steel piano hinge and tumbler lock keyed like other Bradley units.
- **TOWEL DISPENSER** fabricated of type 304 (18-8), 22 gauge stainless steel. Rolled edge on dispenser opening.

CAPACITY:

800 multi-fold or 500 C-fold paper towels.

OPERATION:

Towel dispenser holds multi-fold or C-fold towels without use of special adaptor.

INSTALLATION:

Recessed unit requires rough wall opening 12-11/16"W x 26-5/8"H x 4"D (Semi-recessed unit only 2" deep). Top of wall opening 6'-5" above finished floor. For Barrier-Free applications, top of wall opening 4'-9" above finished floor. Secure to framing with mounting screws (included) at holes provided. Shim at screw points as required.

GUIDE SPECIFICATION:

Recessed towel dispenser shall be fabricated of heavy gauge type 304 (18-8), stainless steel with exposed surfaces in satin finish. Cabinet door of 18 gauge stainless steel with full length piano hinge and secured by tumbler lock. Towel dispenser capacity 800 multi-fold or 500 C-fold towels.

Overall dimensions: 14-1/4"W x 28-1/4"H x 4-1/8"D.

Recessed Towel Dispenser shall be Bradley Model 2447.



P.O. Box 309, Menomonee Falls, WI 53052-0309
Phone 1-800-BRADLEY FAX 262-253-4161
Web Site: <http://www.bradleycorp.com>