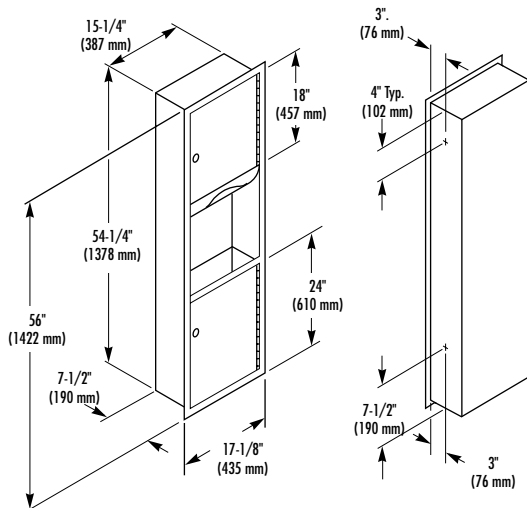


# TOWEL DISPENSER/ WASTE RECEPTACLE

- Model 238 – Recessed
- Model 238-10 – Semi-recessed  
(recesses 3-1/2"; projects 4")
- Model 238-11 – Surface Mounted (projects 7-1/2")



Document No. 8140

This information is subject to change without formal notice.  
© 2004 Bradley Corporation  
12-21-2004

# MODEL 238



When installed as specified below, unit meets Barrier-Free requirements

## CONSTRUCTION:

- **FLANGE** fabricated of type 304 (18-8), 22 gauge stainless steel with exposed surfaces in architectural satin finish. One piece seamless construction, 1" wide with 1/4" return.
- **CABINET** fabricated of type 304 (18-8), 22 gauge stainless steel with exposed surfaces in architectural satin finish. Welded construction with seamless corners and burr-free edges.
- **DOORS** fabricated of type 304 (18-8), 18 gauge stainless steel. Warp resistant, with full length piano hinge and tumbler lock keyed like other Bradley units.
- **TOWEL DISPENSER** fabricated of type 304 (18-8), 22 gauge stainless steel. Rolled edge on dispenser opening.
- **WASTE RECEPTACLE INSERT** fabricated of leakproof molded plastic.
- **CUP DISPENSER** (optional) fabricated of type 304 (18-8), 22 gauge stainless steel.

## CAPACITY:

Towel Dispenser - 1100 single-fold, 800 multi-fold or 500 C-fold paper towels; Waste Receptacle Insert - 8.2 gal. (1.1 cu. ft.); Cup Dispenser (optional) - 100 3-oz. cups.

## OPERATION:

Towel dispenser holds single-fold, multi-fold or C-fold towels with use of special adaptor. Waste receptacle insert removable for easy servicing by unlocking cabinet door.

## INSTALLATION:

Recessed unit requires rough wall opening 15-3/4"W x 54-3/4"H x 7-1/2"D (Semi-recessed unit only 3-1/2" deep). Top of wall opening 5'-2" min. to 6'-6" max. above finished floor. For Barrier-Free applications, top of wall opening 4'-11" above finished floor. Secure to framing with mounting screws (included) at holes provided. Shim at screw points as required.

## OPTIONAL FEATURES:

Feature	Suffix
<input type="checkbox"/> Cup dispenser	-27

## GUIDE SPECIFICATION:

Recessed combination towel dispenser and waste receptacle shall be fabricated of type 304 (18-8), 22 gauge stainless steel with exposed surfaces in satin finish. Cabinet doors with full length piano hinge and secured by tumbler locks. Towel dispenser capacity 1100 single-fold, 800 multi-fold or 500 C-fold towels. Removable 8.2 gal. leakproof molded plastic insert for waste receptacle.

Overall dimensions: 17-1/8"W x 56"H x 7-1/2"D.

**Recessed Combination Towel Dispenser and Waste Receptacle shall be Bradley 238.**

**Bradley**

P.O. Box 309, Menomonee Falls, WI 53052-0309  
Phone 1-800-BRADLEY FAX 262-253-4161  
Web Site: <http://www.bradleycorp.com>