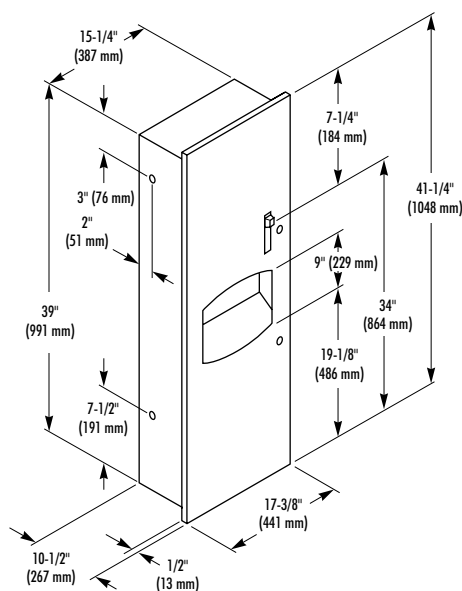



# TOWEL DISPENSER/ WASTE RECEPTACLE

- Contemporary Series – Satin Finish
- Model 2277 – Recessed **Bradex™**
- Model 2277-10 – Semi-recessed **Bradex™**  
(recesses 3-1/2"; projects 7")
- Model 2277-11 – Surface Mounted (projects 10-1/2")



## MODEL 2277

 When installed as specified below, unit meets Barrier-Free requirements

### CONSTRUCTION:

- **CABINET** fabricated of type 304 (18-8) 22 gauge stainless steel with exposed surfaces in architectural satin finish. Welded construction with seamless corners and burr-free edges.
- **DOOR** fabricated of type 304 (18-8) 18 gauge stainless steel, 1/2" return for maximum rigidity. Concealed full-length stainless steel piano hinge, 2 tumbler locks keyed like other Bradley units.
- **TOWEL DISPENSER** furnished (manufactured by others). Rolled edge on dispenser opening.
- **WASTE RECEPTACLE INSERT** fabricated of leakproof molded plastic.

### CAPACITY:

Towel Dispenser—one standard core 8" or 9"W x 800'L roll paper towel. Waste Receptacle Insert—10.5 gal. (1.4 cu. ft.).

### OPERATION:

Towel dispenser delivers preset length of towel (2-1/2", 4" or 5" per stroke). Waste receptacle insert removable by unlocking cabinet door.

### INSTALLATION:

Recessed unit requires rough wall opening 15-3/4"W x 39-1/2"H x 10-1/4"D (Semi-recessed unit only 3-1/2" deep). Top of wall opening 66"-73" above finished floor. Barrier-free applications, top of wall opening 44-1/2" from finished floor. Secure to framing with mounting screws (included) at holes provided. Shim at screw points as required.

### GUIDE SPECIFICATION:

Recessed combination towel dispenser and waste receptacle shall be fabricated of heavy gauge type 304 (18-8) stainless steel with exposed surfaces in satin finish. Cabinet door of 18 gauge stainless steel with full length concealed piano hinge and secured by 2 tumbler locks. Towel dispenser capacity one standard core 8" or 9"W x 800'L roll paper towel. Removable 10.5 gal. leakproof molded plastic insert for waste receptacle.

Overall dimensions: 17-3/8"W x 41-1/4"H x 10-1/2"D.

**Recessed Combination Towel Dispenser and Waste Receptacle shall be Bradley Model 2277.**

Orders composed of products indicated as **Bradex™** will be available to ship in one week after receipt of order at the factory. There is no pricing penalty for this service from Bradley.

**Bradley** 

P.O. Box 309, Menomonee Falls, WI 53052-0309  
Phone 1-800-BRADLEY FAX 262-253-4161  
Web Site: <http://www.bradleycorp.com>  
Technical Information Fax Service: 1-800-BRADFAX

Document No. 8105

This information is subject to change without formal notice.  
1299RSSCJ