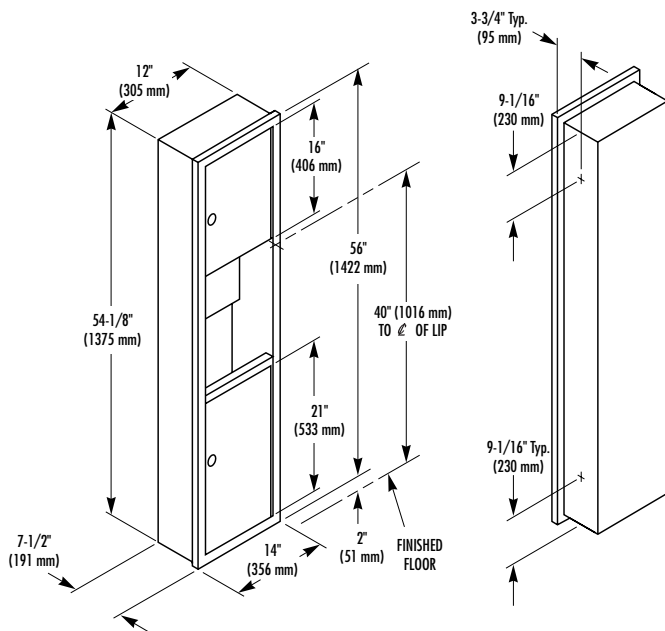




When installed as specified below, unit meets Barrier-Free requirements

# TOWEL DISPENSER/ WASTE RECEPTACLE

- Model 2252 – Recessed
- Model 2252-10 – Semi-recessed (recesses 3-1/2"; projects 4")
- Model 2252-11 – Surface Mounted (projects 7-1/2")



## CONSTRUCTION:

- **FLANGE** fabricated of type 304 (18-8), 22 gauge stainless steel with exposed surfaces in architectural satin finish. One piece seamless construction. 1" wide with 1/4" return.
- **CABINET** fabricated of type 304 (18-8), 22 gauge stainless steel with exposed surfaces in architectural satin finish. Welded construction with seamless corners and burr-free edges.
- **DOORS** fabricated of type 304 (18-8), 18 gauge stainless steel. Warp resistant, with full length piano hinge and tumbler lock keyed like other Bradley units.
- **TOWEL DISPENSER** fabricated of type 304 (18-8), 22 gauge stainless steel. Rolled edge on dispenser opening.
- **WASTE RECEPTACLE INSERT** fabricated of leakproof molded plastic.

## CAPACITY:

Towel Dispenser-1000 single-fold, 700 multi-fold or 400 C-fold paper towels; Waste Receptacle Insert-4.9 gal. (.65 cu. ft.).

## OPERATION:

Towel dispenser holds single-fold, multi-fold or C-fold towels without use of special adaptor. Waste receptacle insert removable by unlocking receptacle door.

## INSTALLATION:

Recessed unit requires rough wall opening 12-1/2"W x 54-5/8"H x 7-1/2"D (Semi-recessed unit only 3-1/2" deep). Top of wall opening 4' 9-1/2" above finished floor (meets Barrier-Free requirements). Secure to framing with mounting screws (included) at holes provided. Shim at screw points as required.

## OPTIONAL FEATURES:

Feature	Suffix
<input type="checkbox"/> Self-closing push-flap door	-35

## GUIDE SPECIFICATION:

Recessed combination towel dispenser and waste receptacle shall be fabricated of type 304 (18-8), 22 gauge stainless steel with exposed surfaces in satin finish. Doors of nonflexing construction, equipped with heavy duty piano hinges and locks. Towel dispenser capacity 1000 single-fold, 700 multi-fold or 400 C-fold towels. Removable 4.9 gal. leakproof molded plastic insert for waste receptacle.

Overall dimensions: 14"W x 56"H x 7-1/2"D.

**Recessed Combination Towel Dispenser and Waste Receptacle shall be Bradley Model 2252.**

Document No. 8090

This information is subject to change without formal notice.  
© 2004 Bradley Corporation  
12-21-2004



P.O. Box 309, Menomonee Falls, WI 53052-0309  
Phone 1-800-BRADLEY FAX 262-253-4161  
Web Site: <http://www.bradleycorp.com>