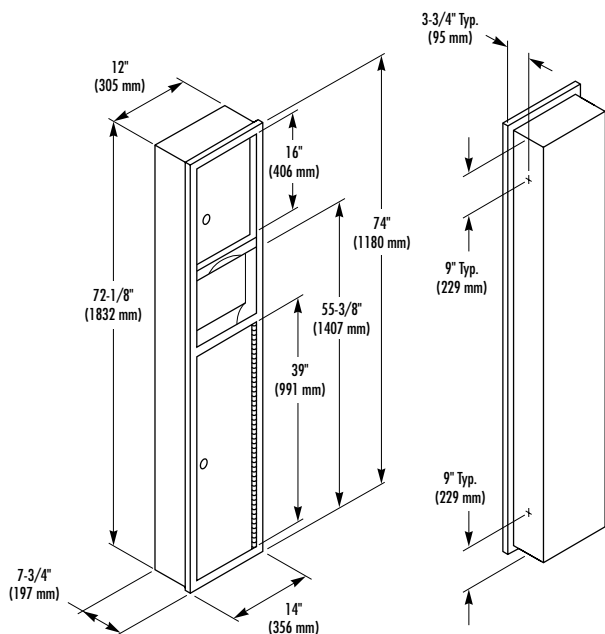


MODEL 225

**TOWEL DISPENSER/
WASTE RECEPTACLE**

- Model 225 – Recessed
- Model 225-10 – Semi-recessed
(recesses 4"; projects 3-1/2")
- Model 225-11 – Surface Mounted
(projects 7-1/2")



Document No. 8080

This information is subject to change without formal notice.
© 2004 Bradley Corporation
12-17-2004

CONSTRUCTION:

- **FLANGE** fabricated of type 304 (18-8), 22 gauge stainless steel with exposed surfaces in architectural satin finish. One piece seamless construction, 1" wide with 1/4" return.
- **CABINET** fabricated of type 304 (18-8), 22 gauge stainless steel with exposed surfaces in architectural satin finish. Welded construction with seamless corners and burr-free edges.
- **DOORS** fabricated of type 304 (18-8), 18 gauge stainless steel. Warp resistant, with full length piano hinge and tumbler lock keyed like other Bradley units.
- **TOWEL DISPENSER** fabricated of type 304 (18-8), 22 gauge stainless steel. Rolled edge on dispenser opening.
- **WASTE RECEPTACLE INSERT** fabricated of leakproof molded plastic.
- **PUSH FLAP DOOR** (optional) fabricated of type 304 (18-8), 22 gauge stainless steel with exposed surfaces in architectural satin finish. Heavy duty stainless steel piano hinge. Self-closing flap door is embossed "PUSH".

CAPACITY:

Towel Dispenser — 1000 single-fold, 800 multi-fold or 600 C-fold paper towels;
Waste Receptacle Insert — 9.2 gal. (1.24 cu. ft.).

OPERATION:

Towel dispenser holds single-fold, multi-fold or C-fold towels without use of special adaptor. Waste receptacle insert removable by unlocking receptacle door.

INSTALLATION:

Recessed unit requires rough wall opening 12-1/2"W x 72-3/4"H x 7-3/4"D (Semi-recessed unit only 3-1/2" deep). Top of wall opening 6'-5" above finished floor. Secure to framing with mounting screws (included) at holes provided. Shim at screw points as required.

OPTIONAL FEATURES:

Feature	Suffix
<input type="checkbox"/> Self-closing push-flap door	-35

GUIDE SPECIFICATION:

Recessed combination towel dispenser and waste receptacle shall be fabricated of type 304 (18-8), 22 gauge stainless steel with exposed surfaces in satin finish and burr-free edges. Doors of nonflexing construction, equipped with full length piano hinges and tumbler locks. Towel dispenser capacity 1000 single-fold, 800 multi-fold or 600 C-fold towels. Removable 9.2 gal. leakproof molded plastic insert for waste receptacle.

Overall dimensions: 14"W x 74"H x 7-3/4"D.

Recessed Combination Towel Dispenser and Waste Receptacle shall be Bradley Model 225.



P.O. Box 309, Menomonee Falls, WI 53052-0309
Phone 1-800-BRADLEY FAX 262-253-4161
Web Site: <http://www.bradleycorp.com>