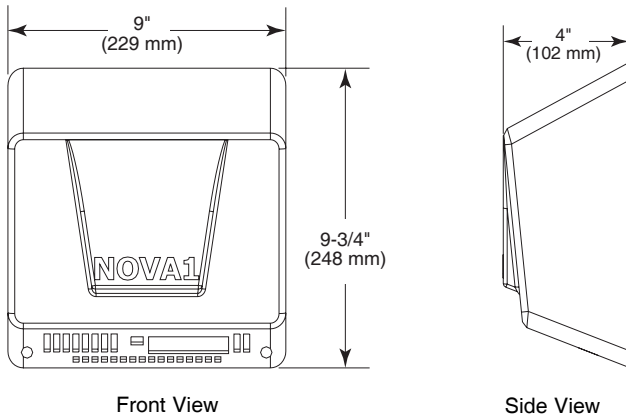
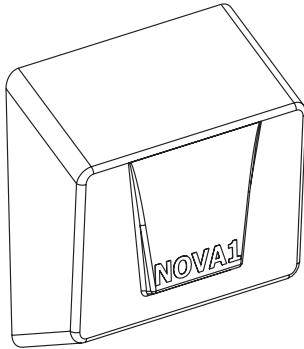


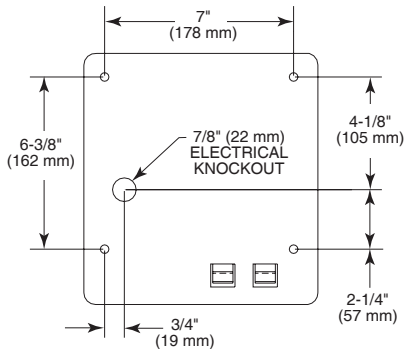
# HAND DRYER

- Surface Mounted
- Sensor Activated
- ADA compliant (4" Projection)
- Model 2898 – White **Bradex™**
- Model 2898-M – Almond



Front View

Side View



Mtg. Hole Locations  
(Front View)

Document No. 8264

This information is subject to change without formal notice.  
© 2004 Bradley Corporation  
3-10-2005

# MODEL 2898



When installed as specified below, unit meets Barrier-Free requirements

## CONSTRUCTION:

- **COVER:** Fabricated of powdered coated zinc alloy.
- **MOTOR:** 7500 RPM brush type
- **HEATING ELEMENT:** Industrial strength coil wound on mica support protected by temperature limit.

## ELECTRONIC CONTROL:

- Active infrared sensor.
- **Universal Voltage:** Infrared-red microprocessor control allows multi-voltage application.
- **Voltage:** 100VAC to 240VAC, 50 or 60 Hz.
- **ENTIRE UNIT:** U.L., CSA, and CE listed and guaranteed against defects in material and/or workmanship.

## OPERATION:

Place hands 3-6 inches below nozzle to activate dryer.

## OPTIONAL FEATURES: EUROPEAN/EXPORT COMPLIANT

Feature	Suffix
<input type="checkbox"/> 2898-CE White	-CE
<input type="checkbox"/> 2898-CEM Almond	-CEM

## INSTALLATION:

Refer to mounting hole locations shown below. Mark the location of the four mounting bolt holes. When two or more dryers are installed, they should be placed no closer than 24" (60 cm) from center to center. Use the security hex driver to loosen the cover screws. Remove the cover from the dryer. Attach the mechanism firmly to the wall using appropriate fasteners. Run the supply wiring to the dryer and connect it to the terminal block. The ground wire must be connected to the base plate. Replace the cover. Do not overtighten the screws. There may be a delay when power is first applied.

## GUIDE SPECIFICATION:

Surface mounted hand dryer shall protrude 4" (102mm), fabricated from powder coated cast zinc alloy. Contain Universal voltage capability. Dryer shall be activated by means of an infrared emitting/receiving electronic control device, automatically detecting hands when present. Hand dryer shall be U.L., CSA, and CE listed and guaranteed against defects in material and/or workmanship for 2 years.

Overall dimensions shall be 9"W( x 9-3/4"H x 4"D.

Surface Mounted Hand Dryer shall be Bradley Model \_\_\_\_\_  
(insert model number).



**Bradley**

P.O. Box 309, Menomonee Falls, WI 53052-0309  
Phone 1-800-BRADLEY FAX 262-253-4161  
Web Site: <http://www.bradleycorp.com>