

Lenox Cubby Locker

Model LENOXCUBBY

- Tough, attractive solid plastic never needs painting, resists dents and scratches
- Impervious to moisture - cubby will not rust or delaminate
- Durable, vandal resistant all-welded construction
- Wide range of sizes and colors
- 20 year warranty against rust, delamination or breakage under normal use*

Construction - Standard Features

Standard Sizes:

A = 12" 15" 18" Wide
 B = 12" 15" 18" Deep
 C = 8-1/4" 11-1/4" 14-1/4" Opening Width
 D = 24", 36", 48", 60", 72" Tall
 Tiers See Table.

Tiers	Overall Cubby Height				
	24"	36"	48"	60"	72"
2	X	X	X	X	X
3		X	X	X	X
4			X	X	X
5				X	X
6					X

Frames

Constructed of 1/2" thick High Density Polyethylene (HDPE) with homogeneous color and a matte finish texture. Dirt or graffiti are easily removed with standard industrial cleaners. Frames are welded to cubby box to provide a secure, rigid assembly. Frame width is 1-7/8" on each side. Frame divider height is 1".

Sides, Tops, Bottoms and Dividers

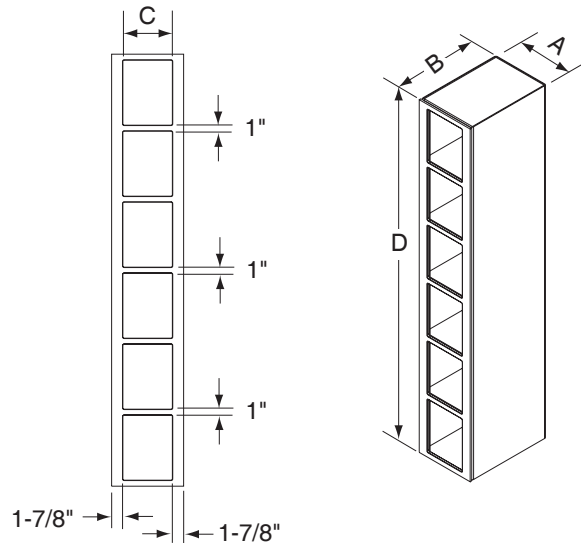
Constructed of 3/8" white HDPE with a smooth finish. Sides and back of box are formed from a single sheet of HDPE with fused corners. Tops, bottoms and dividers are welded to box to form a complete unit without metal fasteners or dovetail joints.

Construction - Optional Features

Slope Top – Model LENOXSLOPETOP

Constructed of a 1" thick black HDPE backplate and a 1/2" thick colored HDPE slope top panel. Provides a finished look and prevents accumulation of dust and storage of items on top of cubby lockers. Back plate secures to wall first, then panel is secured through the cubby locker top from the inside - no exposed fasteners. Standard slope is 10°. Available in single cubby locker size or in 24", 36", 45" and 72" lengths.

* Normal use further defined as cubby lockers installed in a climate-controlled environment, away from direct sunlight.



Base – Model LENOXBASE

Constructed of 1" thick HDPE with homogeneous color and a matte finish texture. Base is 3" tall and set back 3" from cubby locker front to provide toe clearance. Notched end caps provide ease of installation. Installation hardware, including screws, anchors, L-brackets and mending plates are included.

End Panels – Model LENOXENDPANEL

Constructed of 3/8" thick HDPE with homogeneous color and a matte finish texture. End panels cover white cubby sides on exposed ends and are available in flat or slope top styles and in single or double (back-to-back) configurations.

Flat Top – Model LENOXTOPPANEL

Constructed of 3/8" or 1/2" thick HDPE with homogeneous color and a matte finish texture. Provides a finished look on top of cubbies. Available in single cubby size or in 24", 36", 45" and 72" lengths.

Fillers - Model LENOXFILLER

Constructed of 1/2" thick HDPE secured to 3/8" thick HDPE angle bracket. Filler is attached through the inside of an end or corner cubby to fill gaps between cubbies and a wall or another cubby in a corner. Available in colors to match cubbies 24", 36", 48", 60" or 72" tall, 6", 12", 15" and 18" wide.

Coat Hook

Double hook constructed of black polycarbonate. Furnished in two tier cubbies only. Hook hangs under cubby tops. Secured to tops with stainless steel screws.



P.O. Box 309, Menomonee Falls, WI 53052-0309
 Phone 1-800-BRADLEY FAX 262-251-5817
<http://www.bradleycorp.com>

Lenox Cubby Locker

Model LENOXCUBBY

MODELS

Model No.	Description
<input type="checkbox"/> LENOXCUBBY	Solid Plastic Cubby Locker

LENOXCUBBY STANDARD SELECTIONS

Locker Width:	Description
<input type="checkbox"/> 12-WIDTH	12" Wide Cubby
<input type="checkbox"/> 15-WIDTH	15" Wide Cubby
<input type="checkbox"/> 18-WIDTH	18" Wide Cubby
Locker Depth:	Description
<input type="checkbox"/> 12-DEPTH	12" Deep Cubby
<input type="checkbox"/> 15-DEPTH	15" Deep Cubby
<input type="checkbox"/> 18-DEPTH	18" Deep Cubby
Locker Height:	Description
<input type="checkbox"/> 24-HGT	24" High Cubby
<input type="checkbox"/> 36-HGT	36" High Cubby
<input type="checkbox"/> 48-HGT	48" High Cubby
<input type="checkbox"/> 60-HGT	60" High Cubby
<input type="checkbox"/> 72-HGT	72" High Cubby
Locker Tiers:	Description
<input type="checkbox"/> 2TIER	Two Tier Cubby
<input type="checkbox"/> 3TIER	Three Tier Cubby
<input type="checkbox"/> 4TIER	Four Tier Cubby
<input type="checkbox"/> 5TIER	Five Tier Cubby
<input type="checkbox"/> 6TIER	Six Tier Cubby
* See Chart on Page 1 for availability.	
Locker Color:	
<input type="checkbox"/> Beige	<input type="checkbox"/> Red
<input type="checkbox"/> Black	<input type="checkbox"/> Stardust Gray
<input type="checkbox"/> Burgundy	<input type="checkbox"/> Starry Night
<input type="checkbox"/> Buttermilk	<input type="checkbox"/> Teal
<input type="checkbox"/> Caribbean Sage	<input type="checkbox"/> Toffee
<input type="checkbox"/> Charcoal Gray	<input type="checkbox"/> White
<input type="checkbox"/> Deep Blue	<input type="checkbox"/> Blue/White/Blue
<input type="checkbox"/> Desert Stone	<input type="checkbox"/> Brown/White/Brown
<input type="checkbox"/> Dove Stone	<input type="checkbox"/> Green/Beige/Green
<input type="checkbox"/> Gray	<input type="checkbox"/> Red/White/Red
<input type="checkbox"/> Moss	

Lenox Cubby Optional Models

MODEL	
Model No.	Description
<input type="checkbox"/> LENOXSLOPETOP	Optional Slope Top
LENOXSLOPETOP OPTIONAL SELECTIONS	
Slope Top Length:	
<input type="checkbox"/> 12"	<input type="checkbox"/> 36"
<input type="checkbox"/> 15"	<input type="checkbox"/> 45"
<input type="checkbox"/> 18"	<input type="checkbox"/> 72"
<input type="checkbox"/> 24"	
Locker Depth:	Description
<input type="checkbox"/> 12-DEPTH	12" Deep Cubby
<input type="checkbox"/> 15-DEPTH	15" Deep Cubby
<input type="checkbox"/> 18-DEPTH	18" Deep Cubby
Slope Top Color:	
<input type="checkbox"/> Beige	<input type="checkbox"/> Red
<input type="checkbox"/> Black	<input type="checkbox"/> Stardust Gray
<input type="checkbox"/> Burgundy	<input type="checkbox"/> Starry Night
<input type="checkbox"/> Buttermilk	<input type="checkbox"/> Teal
<input type="checkbox"/> Caribbean Sage	<input type="checkbox"/> Toffee
<input type="checkbox"/> Charcoal Gray	<input type="checkbox"/> White
<input type="checkbox"/> Deep Blue	<input type="checkbox"/> Blue/White/Blue
<input type="checkbox"/> Desert Stone	<input type="checkbox"/> Brown/White/Brown
<input type="checkbox"/> Dove Stone	<input type="checkbox"/> Green/Beige/Green
<input type="checkbox"/> Gray	<input type="checkbox"/> Red/White/Red
<input type="checkbox"/> Moss	
Locker Top Type:	Description
<input type="checkbox"/> CONT-SLOPE	Optional Continuous Slope Top
<input type="checkbox"/> INDIV-SLOPE	Optional Individual Slope Top
Pre-cut Corners:	Description
<input type="checkbox"/> RIGHT-CORNER	Corner on Right Side (facing cubby)
<input type="checkbox"/> LEFT-CORNER	Corner on Left Side(facing cubby)

MODEL	
Model No.	Description
<input type="checkbox"/> LENOXBASE	Optional Base
LENOXBASE OPTIONAL SELECTIONS	
Base Length:	
<input type="checkbox"/> 12"	<input type="checkbox"/> 36"
<input type="checkbox"/> 15"	<input type="checkbox"/> 45"
<input type="checkbox"/> 18"	<input type="checkbox"/> 72"
<input type="checkbox"/> 24"	
Base Height:	Description
<input type="checkbox"/> 3"	3" High Base (standard)
<input type="checkbox"/> 4"	4" High Base (custom)
Locker Depth:	Description
<input type="checkbox"/> 12-DEPTH	12" Deep Cubby
<input type="checkbox"/> 15-DEPTH	15" Deep Cubby
<input type="checkbox"/> 18-DEPTH	18" Deep Cubby
Base Color:	
<input type="checkbox"/> Black	<input type="checkbox"/> Special Color

Lenox Cubby Optional Models (Continued)

MODEL	
Model No.	Description
<input type="checkbox"/> LENOXENDPANEL	Optional End Panel
LENOXENDPANEL OPTIONAL SELECTIONS	
End Panel Color:	
<input type="checkbox"/> Beige	<input type="checkbox"/> Red
<input type="checkbox"/> Black	<input type="checkbox"/> Stardust Gray
<input type="checkbox"/> Burgundy	<input type="checkbox"/> Starry Night
<input type="checkbox"/> Buttermilk	<input type="checkbox"/> Teal
<input type="checkbox"/> Caribbean Sage	<input type="checkbox"/> Toffee
<input type="checkbox"/> Charcoal Gray	<input type="checkbox"/> White
<input type="checkbox"/> Deep Blue	<input type="checkbox"/> Blue/White/Blue
<input type="checkbox"/> Desert Stone	<input type="checkbox"/> Brown/White/Brown
<input type="checkbox"/> Dove Stone	<input type="checkbox"/> Green/Beige/Green
<input type="checkbox"/> Gray	<input type="checkbox"/> Red/White/Red
<input type="checkbox"/> Moss	
Locker End Type:	
<input type="checkbox"/> SINGLE-ENDPANEL	Single Type End Panel
<input type="checkbox"/> DOUBLE-ENDPANEL	Double (Island) End Panel for Back-To-Back Cubbies
Locker Height:	
<input type="checkbox"/> 24-HGT	24" High Cubby
<input type="checkbox"/> 36-HGT	36" High Cubby
<input type="checkbox"/> 48-HGT	48" High Cubby
<input type="checkbox"/> 60-HGT	60" High Cubby
<input type="checkbox"/> 72-HGT	72" High Cubby
Locker Depth:	
<input type="checkbox"/> 12-DEPTH	12" Deep Cubby
<input type="checkbox"/> 15-DEPTH	15" Deep Cubby
<input type="checkbox"/> 18-DEPTH	18" Deep Cubby
Locker Top Type:	
<input type="checkbox"/> SLOPE-TOP	Optional - Select if End Panel is for cubbies with Slope Top

MODEL	
Model No.	Description
<input type="checkbox"/> LENOXTOPPANEL	Optional Top Panel
LENOXTOPPANEL OPTIONAL SELECTIONS	
Panel Length:	
<input type="checkbox"/> 12-LENGTH	12" Long Panel
<input type="checkbox"/> 15-LENGTH	15" Long Panel
<input type="checkbox"/> 18-LENGTH	18" Long Panel
<input type="checkbox"/> 24-LENGTH	24" Long Panel
<input type="checkbox"/> 36-LENGTH	36" Long Panel
<input type="checkbox"/> 72-LENGTH	72" Long Panel
Panel Width:	
<input type="checkbox"/> 12-WIDTH	12" Wide Panel
<input type="checkbox"/> 15-WIDTH	15" Wide Panel
<input type="checkbox"/> 18-WIDTH	18" Wide Panel
Top Panel Color:	
<input type="checkbox"/> Beige	<input type="checkbox"/> Red
<input type="checkbox"/> Black	<input type="checkbox"/> Stardust Gray
<input type="checkbox"/> Burgundy	<input type="checkbox"/> Starry Night
<input type="checkbox"/> Buttermilk	<input type="checkbox"/> Teal
<input type="checkbox"/> Caribbean Sage	<input type="checkbox"/> Toffee
<input type="checkbox"/> Charcoal Gray	<input type="checkbox"/> White
<input type="checkbox"/> Deep Blue	<input type="checkbox"/> Blue/White/Blue
<input type="checkbox"/> Desert Stone	<input type="checkbox"/> Brown/White/Brown
<input type="checkbox"/> Dove Stone	<input type="checkbox"/> Green/Beige/Green
<input type="checkbox"/> Gray	<input type="checkbox"/> Red/White/Red
<input type="checkbox"/> Moss	
Panel Thickness:	
<input type="checkbox"/> 1/2-THICK	1/2" Thick Panel



MODEL

Model No.	Description
<input type="checkbox"/> LENOXFILLER	Optional Filler

LENOXFILLER OPTIONAL SELECTIONS

Locker Height:	Description
<input type="checkbox"/> 24-HGT	24" High Cubby
<input type="checkbox"/> 36-HGT	36" High Cubby
<input type="checkbox"/> 48-HGT	48" High Cubby
<input type="checkbox"/> 60-HGT	60" High Cubby
<input type="checkbox"/> 72-HGT	72" High Cubby

Filler Width:	Description
<input type="checkbox"/> 6-WIDTH	6" Wide Cubby
<input type="checkbox"/> 12-WIDTH	12" Wide Cubby
<input type="checkbox"/> 15-WIDTH	15" Wide Cubby
<input type="checkbox"/> 18-WIDTH	18" Wide Cubby

Filler Color:	
<input type="checkbox"/> Beige	<input type="checkbox"/> Red
<input type="checkbox"/> Black	<input type="checkbox"/> Stardust Gray
<input type="checkbox"/> Burgundy	<input type="checkbox"/> Starry Night
<input type="checkbox"/> Buttermilk	<input type="checkbox"/> Teal
<input type="checkbox"/> Caribbean Sage	<input type="checkbox"/> Toffee
<input type="checkbox"/> Charcoal Gray	<input type="checkbox"/> White
<input type="checkbox"/> Deep Blue	<input type="checkbox"/> Blue/White/Blue
<input type="checkbox"/> Desert Stone	<input type="checkbox"/> Brown/White/Brown
<input type="checkbox"/> Dove Stone	<input type="checkbox"/> Green/Beige/Green
<input type="checkbox"/> Gray	<input type="checkbox"/> Red/White/Red
<input type="checkbox"/> Moss	