

Lenox Locker – Solid Plastic

Model LENOXLOCKER

Construction - Optional Features (cont.)

Flat Top – Model LENOXTOPPANEL

Constructed of 1/2" thick HDPE with homogeneous color and a matte finish texture. Provides a finished look on top of lockers. Available in single locker size or in 24", 36", 45", 54" and 72" lengths.

Base – Model LENOXBASE

Constructed of 1" thick HDPE with homogeneous color and a matte finish texture. Base is 3" tall and set back 3" from locker front to provide toe clearance. Notched end caps provide ease of installation. Installation hardware, including screws, anchors, L-brackets and mending plates are included.

Number Plates

Constructed of black aluminum with silver numbers. Number plates are secured with grooved rivets into a recessed pocket cut into the door. Plates must be fastened to lockers on the job by installer.

End Panels – Model LENOXENDPANEL

Constructed of 3/8" thick HDPE with homogeneous color and a matte finish texture. End panels cover white locker sides on exposed ends and are available in flat or slope top styles and in single or double (back-to-back) configurations.

Mesh Doors

Standard locker doors are machined with cross-hatch pattern to provide ventilation for locker contents.

Key Lock

Standard hasp is replaced with Master Lock key lock. All locks are master keyed and include two user keys for each lock. Key can only be removed from lock in locked position. Master keys ordered separately.

Combination Lock

Standard hasp is replaced with Master Lock combination lock. All locks are keyed to one master key (included) and come pre-programmed with 5 separate combinations. Master keys ordered separately.

Card Lock

Standard hasp is replaced with Safe-O-Mat card lock located inside the locker door. User inserts card to secure locker with key. When locker door is opened with key, card is released. Number tags for keys are not included. Master keys, extra cylinders, identification cards, and card punch ordered separately.

Coin Return Lock

Standard hasp is replaced with Safe-O-Mat coin lock located inside the locker door. Locks are available in 25¢ or token denominations. User inserts coin to secure locker with key. When locker door is opened with key, coin is returned. Number tags for keys are not included. Tokens, master keys and extra cylinders ordered separately.

Coin Retain Lock

Standard hasp is replaced with Safe-O-Mat model coin lock located inside the locker door. Locks are available in 25¢, 50¢, one token or two token denominations. User inserts coin to secure locker with key. When locker door is opened with key, coin is retained in collection box secured with a master key. Number tags for keys are not included. Tokens, master keys and extra cylinders ordered separately.

Wall Hooks

Constructed of black powdercoated cast aluminum. 1-3 hooks can be secured to each tier with this option. (Please specify location)

Coat Rod

Constructed of schedule 40 PVC-1120. Rod is mounted with plastic pole sockets and stainless steel screws.

Fillers - Model LENOXFILLER

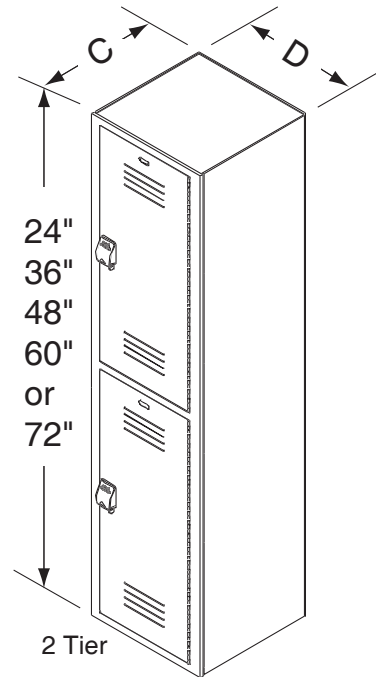
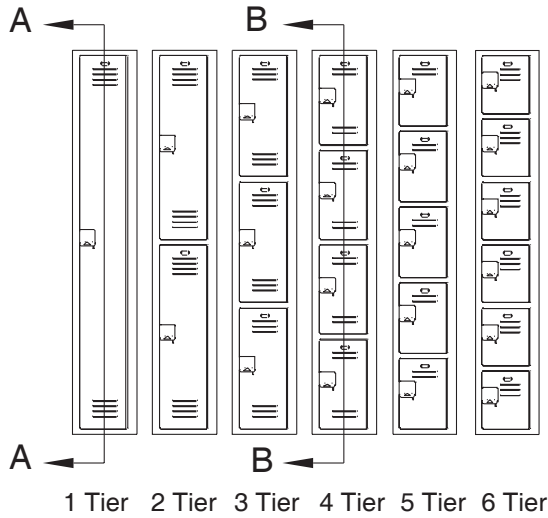
Constructed of 1/2" thick HDPE secured to 3/8" thick HDPE angle bracket. Filler is attached through the inside of an end or corner locker to fill gaps between lockers and a wall or another locker in a corner. Available in colors to match lockers 60" or 72" tall, 6", 12", 15" and 18" wide.

Logos

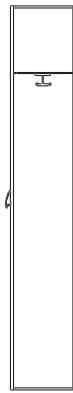
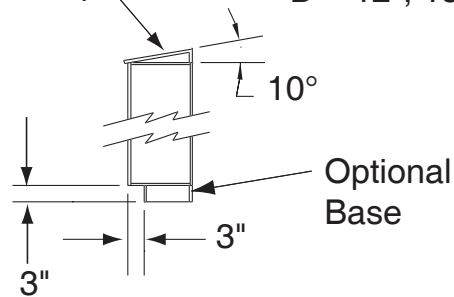
Handicapped or a custom logo is machined into the locker door. Artwork for logos must be provided to Bradley.

Lenox Locker – Solid Plastic

Model LENOXLOCKER



Optional Slope Top
C = 12", 15", or 18"
D = 12", 15", or 18"



SECTION A-A



SECTION B-B

Lenox Locker – Solid Plastic

Model LENOXLOCKER

MODELS

Model No.	Description
<input type="checkbox"/> LENOXLOCKER	Solid Plastic Locker

LENOX LOCKER STANDARD SELECTIONS (continued)

Locker Door Type	Description
<input type="checkbox"/> Std-Door	Standard door — Louvered Vented
<input type="checkbox"/> Mesh-Door	Vented Mesh Door

LENOX LOCKER STANDARD SELECTIONS

Locker Width:	Description
<input type="checkbox"/> 12-WIDTH	12" Wide Locker
<input type="checkbox"/> 15-WIDTH	15" Wide Locker
<input type="checkbox"/> 18-WIDTH	18" Wide Locker

Locker Depth:	Description
<input type="checkbox"/> 12-DEPTH	12" Deep Locker
<input type="checkbox"/> 15-DEPTH	15" Deep Locker
<input type="checkbox"/> 18-DEPTH	18" Deep Locker

Locker Height:	Description
<input type="checkbox"/> 24-HGT	24" High Locker
<input type="checkbox"/> 36-HGT	36" High Locker
<input type="checkbox"/> 48-HGT	48" High Locker
<input type="checkbox"/> 60-HGT	60" High Locker
<input type="checkbox"/> 60-HGT	60" High Locker
<input type="checkbox"/> 72-HGT	72" High Locker

Locker Tiers:	Description
<input type="checkbox"/> 1TIER	One Tier Locker
<input type="checkbox"/> 2TIER	Two Tier Locker
<input type="checkbox"/> 3TIER	Three Tier Locker
<input type="checkbox"/> 4TIER	Four Tier Locker
<input type="checkbox"/> 5TIER	Five Tier Locker
<input type="checkbox"/> 6TIER	Six Tier Locker

* See Chart on Page 1 for availability.

Locker Color:	
<input type="checkbox"/> Beige	<input type="checkbox"/> Red
<input type="checkbox"/> Black	<input type="checkbox"/> Stardust Gray
<input type="checkbox"/> Burgundy	<input type="checkbox"/> Starry Night
<input type="checkbox"/> Buttermilk	<input type="checkbox"/> Teal
<input type="checkbox"/> Caribbean Sage	<input type="checkbox"/> Toffee
<input type="checkbox"/> Charcoal Gray	<input type="checkbox"/> White
<input type="checkbox"/> Deep Blue	<input type="checkbox"/> Blue/White/Blue
<input type="checkbox"/> Desert Stone	<input type="checkbox"/> Brown/White/Brown
<input type="checkbox"/> Dove Stone	<input type="checkbox"/> Green/Beige/Green
<input type="checkbox"/> Gray	<input type="checkbox"/> Red/White/Red
<input type="checkbox"/> Moss	

LENOX LOCKER OPTIONAL SELECTIONS

Locker Lock Type:	Description
<input type="checkbox"/> STD-HASP-LOCK	Standard Hasp Lock
<input type="checkbox"/> KEY-LOCK	Built-in Key Lock
<input type="checkbox"/> COMBINATION	Built-in Combination
<input type="checkbox"/> CARD-LOCK	Card Operated Lock
<input type="checkbox"/> COIN-LOCK	Coin Operated Lock
<input type="checkbox"/> 25-COLLECT	\$0.25 Coin Collect Lock
<input type="checkbox"/> 50-COLLECT	\$0.50 Coin Collect Lock
<input type="checkbox"/> TOKEN-COLLECT	Token Collect Lock
<input type="checkbox"/> 2-TOKEN-COLLECT	2 Token Collect Lock
<input type="checkbox"/> 25-RETURN	\$0.25 Coin Return Lock
<input type="checkbox"/> TOKEN-RETURN	Token Return Lock

Locker Number Plates:	Description
<input type="checkbox"/> NUMBERS	Optional Number Plates List Sequence _____

Locker Logos:	Description
<input type="checkbox"/> LOGO	Optional Logo Description _____

Locker Wall Hooks:	Description
<input type="checkbox"/> WALL-HOOK	1-3 Wall Hooks per Tier Specify Location(s) _____

Locker Coat Rod:	Description
<input type="checkbox"/> COAT ROD	Optional Coat Rod



P.O. Box 309, Menomonee Falls, WI 53052-0309
Phone 1-800-BRADLEY FAX 262-251-5817
<http://www.bradleycorp.com>

Lenox Locker Optional Models

MODEL	
Model No.	Description
<input type="checkbox"/> LENOXSLOPETOP	Optional Slope Top
LENOXSLOPETOP OPTIONAL SELECTIONS	
Slope Top Length:	
<input type="checkbox"/> 12"	<input type="checkbox"/> 36"
<input type="checkbox"/> 15"	<input type="checkbox"/> 45"
<input type="checkbox"/> 18"	<input type="checkbox"/> 54"
<input type="checkbox"/> 24"	<input type="checkbox"/> 72"
Locker Depth:	Description
<input type="checkbox"/> 12-DEPTH	12" Deep Locker
<input type="checkbox"/> 15-DEPTH	15" Deep Locker
<input type="checkbox"/> 18-DEPTH	18" Deep Locker
Slope Top Color:	
<input type="checkbox"/> Beige	<input type="checkbox"/> Red
<input type="checkbox"/> Black	<input type="checkbox"/> Stardust Gray
<input type="checkbox"/> Burgundy	<input type="checkbox"/> Starry Night
<input type="checkbox"/> Buttermilk	<input type="checkbox"/> Teal
<input type="checkbox"/> Caribbean Sage	<input type="checkbox"/> Toffee
<input type="checkbox"/> Charcoal Gray	<input type="checkbox"/> White
<input type="checkbox"/> Deep Blue	<input type="checkbox"/> Blue/White/Blue
<input type="checkbox"/> Desert Stone	<input type="checkbox"/> Brown/White/Brown
<input type="checkbox"/> Dove Stone	<input type="checkbox"/> Green/Beige/Green
<input type="checkbox"/> Gray	<input type="checkbox"/> Red/White/Red
<input type="checkbox"/> Moss	
Locker Top Type:	Description
<input type="checkbox"/> CONT-SLOPE	Optional Continuous Slope Top
<input type="checkbox"/> INDIV-SLOPE	Optional Individual Slope Top
Pre-cut Corner Slope Top: Description	
<input type="checkbox"/> CORNER	36" x 36" x Locker Depth

MODEL	
Model No.	Description
<input type="checkbox"/> LENOXBASE	Optional Base
LENOXBASE OPTIONAL SELECTIONS	
Base Length:	
<input type="checkbox"/> 12"	<input type="checkbox"/> 36"
<input type="checkbox"/> 15"	<input type="checkbox"/> 45"
<input type="checkbox"/> 18"	<input type="checkbox"/> 54"
<input type="checkbox"/> 24"	<input type="checkbox"/> 72"
Base Height:	Description
<input type="checkbox"/> 3"	3" High Base (standard)
<input type="checkbox"/> 4"	4" High Base (custom)
Locker Depth:	Description
<input type="checkbox"/> 12-DEPTH	12" Deep Locker
<input type="checkbox"/> 15-DEPTH	15" Deep Locker
<input type="checkbox"/> 18-DEPTH	18" Deep Locker
Base Color:	
<input type="checkbox"/> Black	<input type="checkbox"/> Special Color Red, Teal, White N/A



Lenox Locker Optional Models (Continued)

MODEL	
Model No.	Description
<input type="checkbox"/> LENOXENDPANEL	Optional End Panel
LENOXENDPANEL OPTIONAL SELECTIONS	
End Panel Color:	
<input type="checkbox"/> Beige	<input type="checkbox"/> Red
<input type="checkbox"/> Black	<input type="checkbox"/> Stardust Gray
<input type="checkbox"/> Burgundy	<input type="checkbox"/> Starry Night
<input type="checkbox"/> Buttermilk	<input type="checkbox"/> Teal
<input type="checkbox"/> Caribbean Sage	<input type="checkbox"/> Toffee
<input type="checkbox"/> Charcoal Gray	<input type="checkbox"/> White
<input type="checkbox"/> Deep Blue	<input type="checkbox"/> Blue/White/Blue
<input type="checkbox"/> Desert Stone	<input type="checkbox"/> Brown/White/Brown
<input type="checkbox"/> Dove Stone	<input type="checkbox"/> Green/Beige/Green
<input type="checkbox"/> Gray	<input type="checkbox"/> Red/White/Red
<input type="checkbox"/> Moss	
Locker End Type: Description	
<input type="checkbox"/> SINGLE-ENDPANEL	Single Type End Panel
<input type="checkbox"/> DOUBLE-ENDPANEL	Double (Island) End Panel for Back-To-Back Lockers
Locker Height: Description	
<input type="checkbox"/> 24-HGT	24" High Locker
<input type="checkbox"/> 36-HGT	36" High Locker
<input type="checkbox"/> 48-HGT	48" High Locker
<input type="checkbox"/> 60-HGT	60" High Locker
<input type="checkbox"/> 72-HGT	72" High Locker
Locker Depth: Description	
<input type="checkbox"/> 12-DEPTH	12" Deep Locker
<input type="checkbox"/> 15-DEPTH	15" Deep Locker
<input type="checkbox"/> 18-DEPTH	18" Deep Locker
Locker Top Type: Description	
<input type="checkbox"/> SLOPE-TOP	Optional - Select if End Panel is for lockers with Slope Top

MODEL	
Model No.	Description
<input type="checkbox"/> LENOXTOPPANEL	Optional Top Panel
LENOXTOPPANEL OPTIONAL SELECTIONS	
Panel Length: Description	
<input type="checkbox"/> 12-LENGTH	12" Long Panel
<input type="checkbox"/> 15-LENGTH	15" Long Panel
<input type="checkbox"/> 18-LENGTH	18" Long Panel
<input type="checkbox"/> 24-LENGTH	24" Long Panel
<input type="checkbox"/> 36-LENGTH	36" Long Panel
<input type="checkbox"/> 45-LENGTH	45" Long Panel
<input type="checkbox"/> 54-LENGTH	54" Long Panel
<input type="checkbox"/> 72-LENGTH	72" Long Panel
Panel Width: Description	
<input type="checkbox"/> 12-WIDTH	12" Wide Panel
<input type="checkbox"/> 15-WIDTH	15" Wide Panel
<input type="checkbox"/> 18-WIDTH	18" Wide Panel
Top Panel Color:	
<input type="checkbox"/> Beige	<input type="checkbox"/> Red
<input type="checkbox"/> Black	<input type="checkbox"/> Stardust Gray
<input type="checkbox"/> Burgundy	<input type="checkbox"/> Starry Night
<input type="checkbox"/> Buttermilk	<input type="checkbox"/> Teal
<input type="checkbox"/> Caribbean Sage	<input type="checkbox"/> Toffee
<input type="checkbox"/> Charcoal Gray	<input type="checkbox"/> White
<input type="checkbox"/> Deep Blue	<input type="checkbox"/> Blue/White/Blue
<input type="checkbox"/> Desert Stone	<input type="checkbox"/> Brown/White/Brown
<input type="checkbox"/> Dove Stone	<input type="checkbox"/> Green/Beige/Green
<input type="checkbox"/> Gray	<input type="checkbox"/> Red/White/Red
<input type="checkbox"/> Moss	
Panel Thickness: Description	
<input type="checkbox"/> 1/2-THICK	1/2" Thick Panel



Lenox Locker Optional Models (Continued)

MODEL	
Model No.	Description
<input type="checkbox"/> LENOXFILLER	Optional Filler
LENOXFILLER OPTIONAL SELECTIONS	
Locker Height:	Description
<input type="checkbox"/> 24-HGT	24" High Locker
<input type="checkbox"/> 36-HGT	36" High Locker
<input type="checkbox"/> 48-HGT	48" High Locker
<input type="checkbox"/> 60-HGT	60" High Locker
<input type="checkbox"/> 72-HGT	72" High Locker
Filler Width:	Description
<input type="checkbox"/> 6-WIDTH	6" Wide Filler
<input type="checkbox"/> 12-WIDTH	12" Wide Filler
<input type="checkbox"/> 15-WIDTH	15" Wide Filler
<input type="checkbox"/> 18-WIDTH	18" Wide Filler
Filler Color:	Description
<input type="checkbox"/> Beige	<input type="checkbox"/> Red
<input type="checkbox"/> Black	<input type="checkbox"/> Stardust Gray
<input type="checkbox"/> Burgundy	<input type="checkbox"/> Starry Night
<input type="checkbox"/> Buttermilk	<input type="checkbox"/> Teal
<input type="checkbox"/> Caribbean Sage	<input type="checkbox"/> Toffee
<input type="checkbox"/> Charcoal Gray	<input type="checkbox"/> White
<input type="checkbox"/> Deep Blue	<input type="checkbox"/> Blue/White/Blue
<input type="checkbox"/> Desert Stone	<input type="checkbox"/> Brown/White/Brown
<input type="checkbox"/> Dove Stone	<input type="checkbox"/> Green/Beige/Green
<input type="checkbox"/> Gray	<input type="checkbox"/> Red/White/Red
<input type="checkbox"/> Moss	

